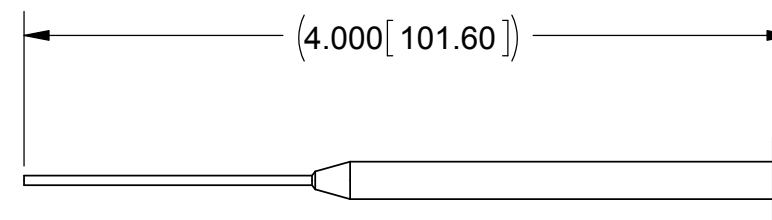
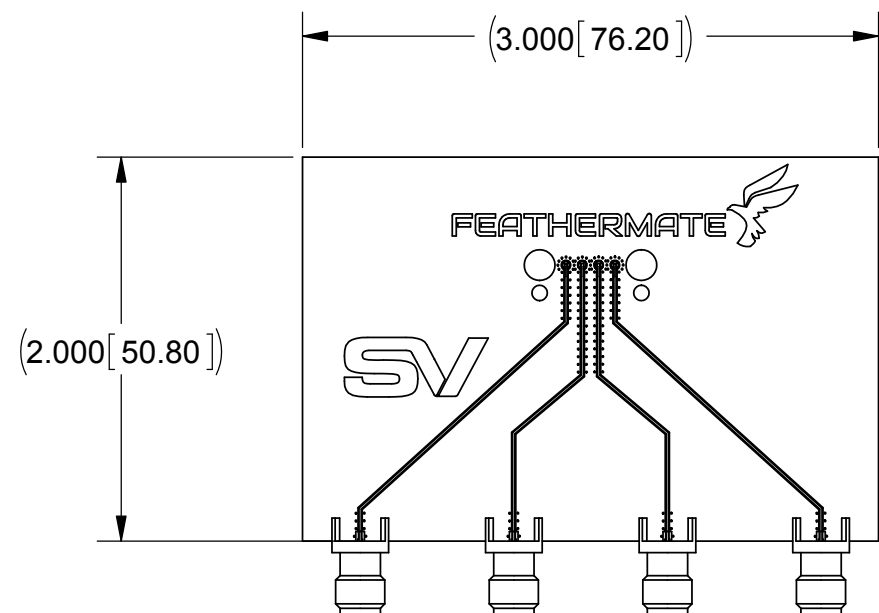
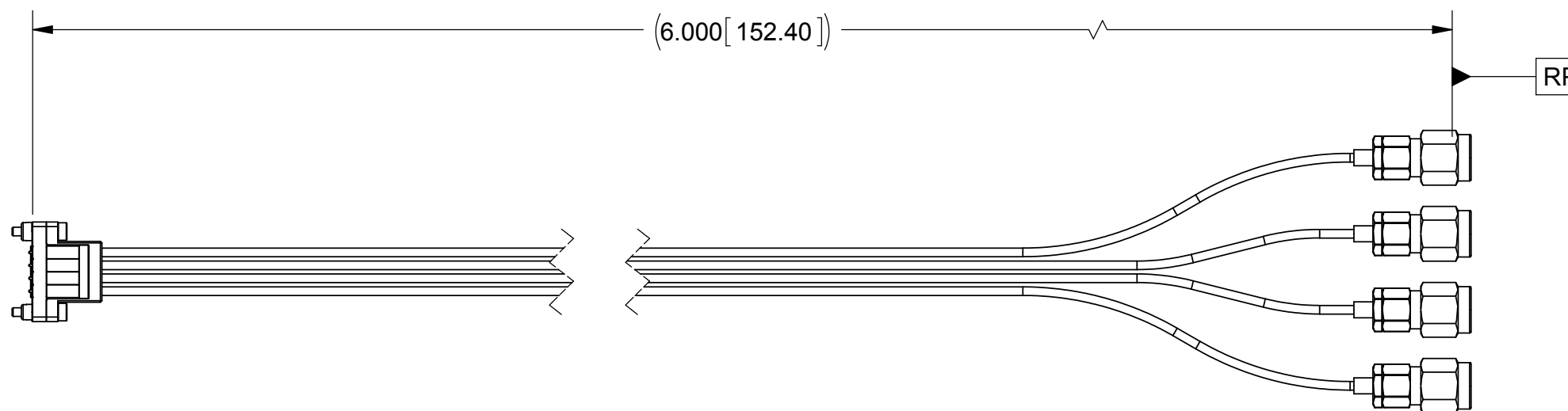


PRODUCT DATA DRAWING

REVISION HISTORY			
REV	DESCRIPTION	DATE	APPROVED
-	DCN 42531	07/16	DAL



NOTES:

1. REFER TO INDIVIDUAL DATA DRAWINGS FOR MATERIAL, FINISH AND PERFORMANCE INFORMATION.
2. PERFORMANCE PLOTS AND FILES ON USB DRIVE.

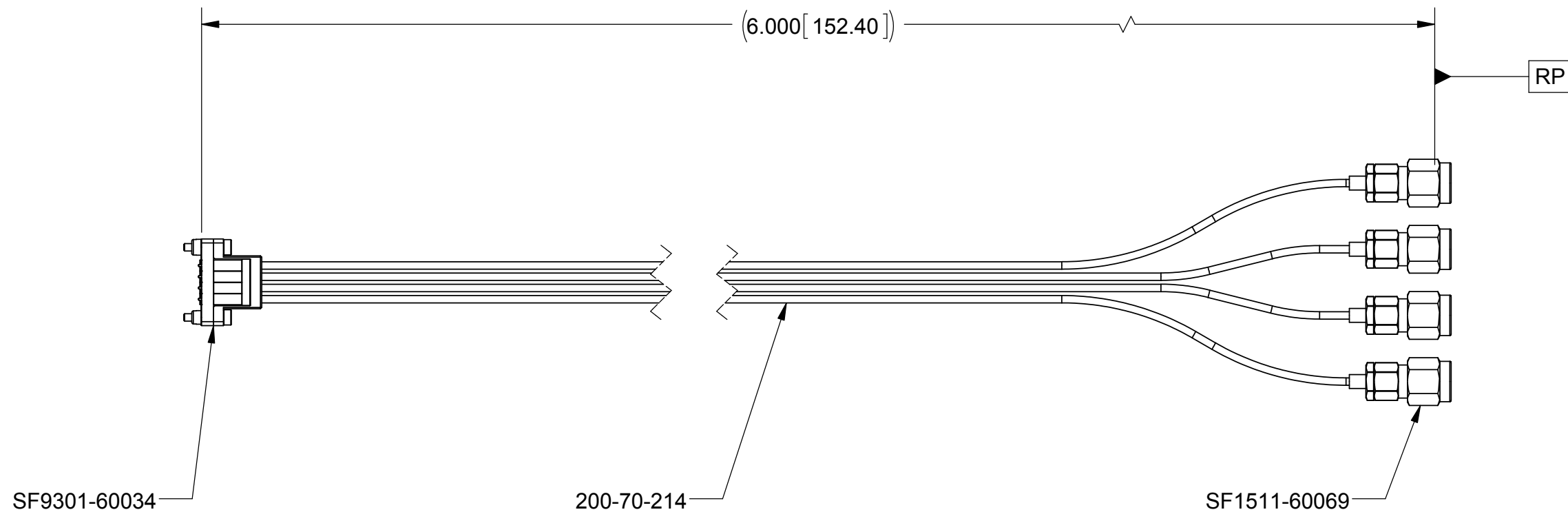
THIS EVALUATION KIT INCLUDES:

QTY	P/N	DESCRIPTION
1	7080-0622	FEATHERMATE TO SVK PLUG
4	1521-60086	SVK PLUG (ON PCB)
1	SV-FM-EVAL.01	PCB
1	7043A13	HEX TOOL
1		USB DRIVE

MATERIAL: SEE NOTES	DIMENSIONS ARE IN INCHES TOLERANCES: FRACTIONAL: ±1/64 ANGULAR: X° ±1°0' X'X' ±15'	UNLESS OTHERWISE SPECIFIED 1) ALL DIMENSIONS ARE IN INCHES (MILLIMETERS) 2) ALL DIMENSIONS ARE AFTER PLATING. 3) BREAK CORNERS & EDGES .005 R. MAX. 4) CHAM. 1ST & LAST THREADS. 5) SURFACE ROUGHNESS 63-MIL-STD-10. 6) DIA. 'S ON COMMON CENTERS TO BE CONCENTRIC WITHIN .005 T.I.R. 7) REMOVE ALL BURRS	 Amphenol 2400 Centrepark West Drive, Suite 100 West Palm Beach, FL 33409 TITLE: FEATHERMATE Mk.IV EVALUATION KIT
FINISH: SEE NOTES	DECIMAL: X ±.030 .XX ±.010 .XXX ±.005	INTERPRET DIMENSIONS AND TOLERANCES PER ASME Y14.5M - 1994	
SURFACE AREA: N/A	THIRD ANGLE PROJECTION	DRAWN: GPF 06/07/16	SIZE: B CAGE CODE: 95077 DWG. NO. FM Mk.IV - EVALKIT
PROPRIETARY THE INFORMATION CONTAINED IN THIS DRAWING IS THE SOLE PROPERTY OF SV MICROWAVE, INC. ANY REPRODUCTION IN PART OR AS A WHOLE WITHOUT THE WRITTEN PERMISSION OF SV MICROWAVE, INC IS PROHIBITED.		CHECKED: DAL 06/07/16	SCALE: 1:1
		APPROVED: DAL 06/07/16	SHEET 1 OF 3

PRODUCT DATA DRAWING

REVISION HISTORY			
REV	DESCRIPTION	DATE	APPROVED
	SEE SHEET 1		



7080-0622

MATERIALS:

- CONNECTORS: 4X SF1511-60069 (SVK STRAIGHT PLUG)
 SF9301-60034 (FEATHERMATE Mk.V)
- CABLE: 200-70-214 (STANDARD FLEXTRA CABLE)

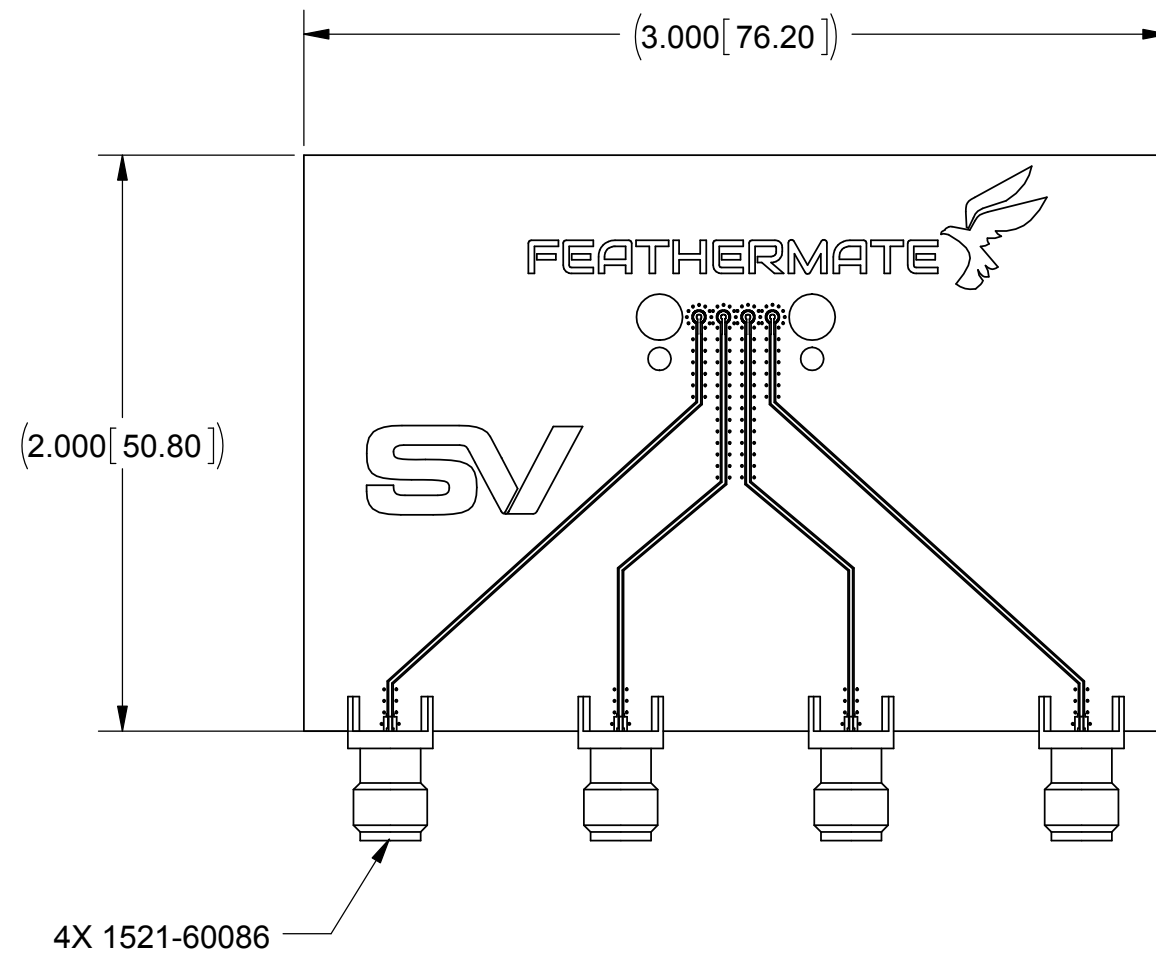
PERFORMANCE:

- FREQ. RANGE: DC TO 40.0 GHz
 VSWR: 1.50:1 MAX. DC TO 40.0 GHz
 INSERTION LOSS: 1.0 dB MAX AT 40.0 GHz
 DELAY MATCH (SET): ±1 ps

MATERIAL: SEE NOTES	DIMENSIONS ARE IN INCHES TOLERANCES: FRACTIONAL: ±1/64 ANGULAR: X° ±1°0' X'X' ±15'	UNLESS OTHERWISE SPECIFIED 1) ALL DIMENSIONS ARE IN INCHES (MILLIMETERS) 2) ALL DIMENSIONS ARE AFTER PLATING. 3) BREAK CORNERS & EDGES .005 R. MAX. 4) CHAM. 1ST & LAST THREADS. 5) SURFACE ROUGHNESS 63-MIL-STD-10. 6) DIA. 'S ON COMMON CENTERS TO BE CONCENTRIC WITHIN .005 T.I.R. 7) REMOVE ALL BURRS	 Amphenol 2400 Centrepark West Drive, Suite 100 West Palm Beach, FL 33409
FINISH: SEE NOTES	DECIMAL: X ±.030 .XX ±.010 .XXX ±.005	INTERPRET DIMENSIONS AND TOLERANCES PER ASME Y14.5M - 1994	
SURFACE AREA: N/A	THIRD ANGLE PROJECTION	DRAWN: GPF 06/07/16	TITLE: FEATHERMATE Mk.IV EVALUATION KIT
PROPRIETARY THE INFORMATION CONTAINED IN THIS DRAWING IS THE SOLE PROPERTY OF SV MICROWAVE, INC. ANY REPRODUCTION IN PART OR AS A WHOLE WITHOUT THE WRITTEN PERMISSION OF SV MICROWAVE, INC IS PROHIBITED.		CHECKED: DAL 06/07/16	SIZE: B CAGE CODE: 95077 DWG. NO.: FM Mk.IV - EVALKIT
		APPROVED: DAL 06/07/16	SCALE: 1:1 SHEET 2 OF 3

PRODUCT DATA DRAWING

REVISION HISTORY			
REV	DESCRIPTION	DATE	APPROVED
	SEE SHEET 1		



PCB CHARACTERISTICS:

PCB CORE 1: .010" ROGERS 3203
 LAYER 1 THICKNESS: 1 OZ FINISHED
 PCB CORE 2: .010" PREPREG DK= 3-4
 LAYER 2 THICKNESS: 1/2 OZ
 PCB CORE 3: BALANCE TO ACHEIVE .048±.005" FR04
 LAYER 3 THICKNESS: 1/2 OZ
 LAYER 4 THICKNESS: 1/2 OZ

MATERIAL: SEE NOTES	DIMENSIONS ARE IN INCHES TOLERANCES: FRACTIONAL: ±1/64 ANGULAR: X° ±1°0' X'X' ±15'	UNLESS OTHERWISE SPECIFIED 1) ALL DIMENSIONS ARE IN INCHES (MILLIMETERS) 2) ALL DIMENSIONS ARE AFTER PLATING. 3) BREAK CORNERS & EDGES .005 R. MAX. 4) CHAM. 1ST & LAST THREADS. 5) SURFACE ROUGHNESS 63-MIL-STD-10. 6) DIA. 'S ON COMMON CENTERS TO BE CONCENTRIC WITHIN .005 T.I.R. 7) REMOVE ALL BURRS	<p>2400 Centrepark West Drive, Suite 100 West Palm Beach, FL 33409</p>
FINISH: SEE NOTES	DECIMAL: X ±.030 .XX ±.010 .XXX ±.005	INTERPRET DIMENSIONS AND TOLERANCES PER ASME Y14.5M - 1994	
SURFACE AREA: N/A	THIRD ANGLE PROJECTION	DRAWN: GPF 06/07/16	TITLE: FEATHERMATE Mk.IV EVALUATION KIT
<p>PROPRIETARY</p> <p>THE INFORMATION CONTAINED IN THIS DRAWING IS THE SOLE PROPERTY OF SV MICROWAVE, INC. ANY REPRODUCTION IN PART OR AS A WHOLE WITHOUT THE WRITTEN PERMISSION OF SV MICROWAVE, INC IS PROHIBITED.</p>		CHECKED: DAL 06/07/16	<p>SIZE: B CAGE CODE: 95077 DWG. NO.: FM Mk.IV - EVALKIT</p>
		APPROVED: DAL 06/07/16	SCALE: 1:1 SHEET 3 OF 3