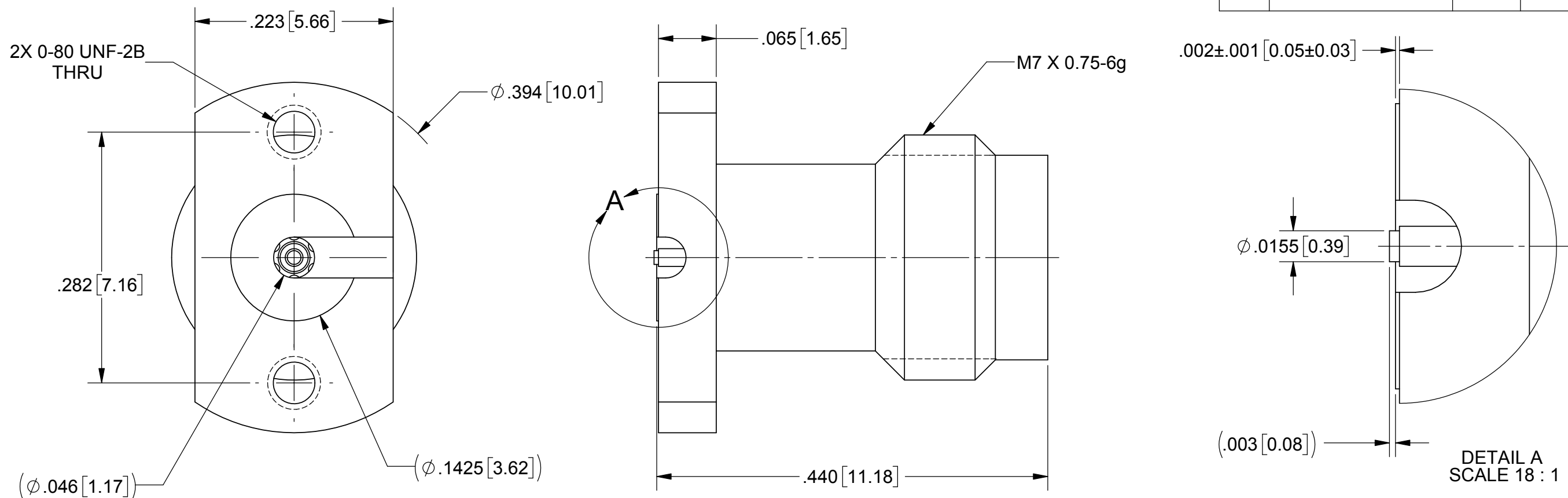


# PRODUCT DATA DRAWING

| REVISION HISTORY |                |          |          |
|------------------|----------------|----------|----------|
| REV              | DESCRIPTION    | DATE     | APPROVED |
| -                | DCN 47174      | 02/18    | GPF      |
| A                | REV. DCN 47420 | 05/03/18 | STW      |

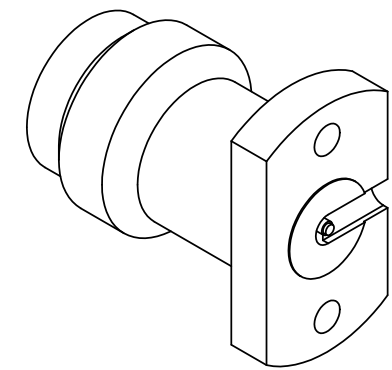
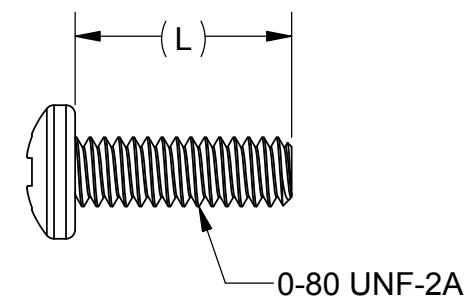


**MATERIAL:**  
**BODY & INSERT:** STAINLESS STEEL PER AMS 5640, ALLOY UNS S30300, TYPE 1 OR ASTM A582, TYPE 303, CONDITION A.  
**CONTACT:** BERYLLIUM COPPER PER ASTM B196, ALLOY No. UNS C17300, TD04.  
**INSULATOR:** PEI (ULTEM 1000) PER ASTM D5205.  
**SCREWS:** 300 SERIES STAINLESS STEEL.  
**FINISH:**

**BODY, INSERT & SCREWS:** PASSIVATED PER AMS 2700.  
**CONTACT:** GOLD PER ASTM B488, TYPE II, CODE C, CLASS .76, OVER NICKEL PER AMS-QQ-N-290, CLASS 1, .00005" MIN.

**PERFORMANCE:**  
**IMPEDANCE:** 50 OHMS  
**FREQ. RANGE:** DC TO 67.0 GHz  
**VSWR:** 1.35:1 DC TO 67.0 GHz  
**INSERTION LOSS:** .05 X SQRT(F(F IN GHz))

**NOTES:**  
 1. FOR RECOMMENDED FOOTPRINT FOR YOUR PCB, ONTACT SV MICROWAVE SALES DEPARTMENT (sales@svmicro.com, 561-840-1800)



| SV P/N          | DESCRIPTION              | PCB THICKNESS | (L)  |
|-----------------|--------------------------|---------------|------|
| SF3321-60024-1S | INCL. 2 EA (.188) SCREWS | .016 TO .123  | .188 |
| SF3321-60024-2S | INCL. 2 EA (.250) SCREWS | .078 TO .185  | .250 |
| SF3321-60024-3S | INCL. 2 EA (.438) SCREWS | .266 TO .373  | .438 |
| SF3321-60024    | NO SCREWS                | .005 TO .373  | N/A  |

|                     |   |   |   |
|---------------------|---|---|---|
| MATERIAL: SEE NOTES | DIMENSIONS ARE IN INCHES TOLERANCES:<br>FRACTIONAL: ±1/64 ANGULAR: X° ±1'0" X'X' ±15' | UNLESS OTHERWISE SPECIFIED<br>1) ALL DIMENSIONS ARE IN INCHES (MILLIMETERS)<br>2) ALL DIMENSIONS ARE AFTER PLATING.<br>3) BREAK CORNERS & EDGES .005 R. MAX.<br>4) CHAM. 1ST & LAST THREADS.<br>5) SURFACE ROUGHNESS 63-MIL-STD-10.<br>6) DIA.'S ON COMMON CENTERS TO BE CONCENTRIC WITHIN .005 T.I.R.<br>7) REMOVE ALL BURRS | <b>SV Microwave, Inc.</b><br>2400 Centrepark West Drive, Suite 100<br>West Palm Beach, FL 33409<br>TITLE: 1.85MM JACK 2 HOLE FLANGE COMPRESSION MOUNT (67 GHz) FOR CPW/MICROSTRIP<br>SIZE: B CAGE CODE: 95077 DWG. NO.: SF3321-60024-XS<br>SCALE: 8:1 |
| FINISH: SEE NOTES   | DECIMAL: X ±.030<br>.XX ±.010<br>.XXX ±.005   | INTERPRET DIMENSIONS AND TOLERANCES PER ASME Y14.5M - 1994  |   |
| SURFACE AREA: N/A   | THIRD ANGLE PROJECTION  | DRAWN: JMC 03/10/16<br>CHECKED: STW 03/11/16<br>APPROVED: STW 03/11/16  | SHEET 1 OF 1  |