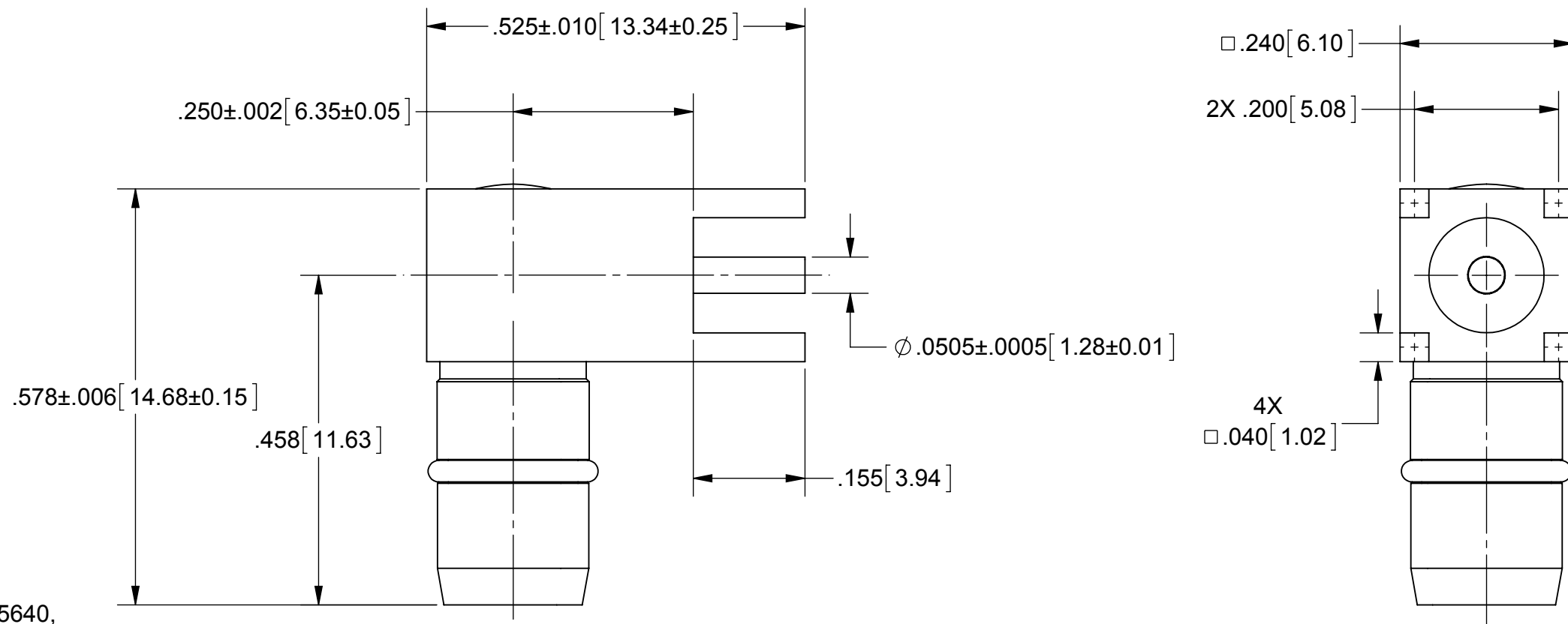


# PRODUCT DATA DRAWING

| REVISION HISTORY |             |       |          |
|------------------|-------------|-------|----------|
| REV              | DESCRIPTION | DATE  | APPROVED |
| B                | DCN 41836   | 11/15 | STW      |
|                  |             |       |          |



**MATERIAL:**

- BODIES:** STAINLESS STEEL PER AMS-5640, ALLOY UNS S30300, TYPE 1
- CONTACTS:** BERYLLIUM COPPER PER ASTM B196, ALLOY No. UNS C17300, TD04
- TERMINAL:** BRASS PER ASTM B16, ALLOY UNS No. C36000
- INSULATORS:** PTFE PER ASTM D1710, TYPE I, GRADE 1, CLASS B
- O-RING:** FLUOROCARBON RUBBER PER AMS 7276
- PRESS CAP:** STAINLESS STEEL PER ASTM-A-240, ALLOY UNS S30400, TYPE 304

**FINISH:**

- BODIES, CONTACTS & TERMINAL:** GOLD PER ASTM B488, TYPE II, CODE C, CLASS .76, OVER NICKEL PER AMS-QQ-N-290, CLASS 1, .00005" MIN.
- PRESS CAP:** GOLD PER ASTM B 488, TYPE I, CODE C, CLASS .50, OVER NICKEL PER AMS-QQ-N-290, CLASS 1, .00005" MIN.

**PERFORMANCE:**

**IMPEDANCE:** 50 OHMS

**NOTES:**

- FOR A FOOTPRINT RECOMMENDATION SPECIFIC TO YOUR PCB, PLEASE CONTACT US AT [applications@svmicro.com](mailto:applications@svmicro.com)

|   |   |  |  |
|---|---|--|--|
| MATERIAL: SEE NOTES   | DIMENSIONS ARE IN INCHES TOLERANCES:<br>FRACTIONAL: $\pm 1/64$ ANGULAR: X° $\pm 1'0''$<br>X°X' $\pm 15''$ | UNLESS OTHERWISE SPECIFIED<br>1) ALL DIMENSIONS ARE IN INCHES (MILLIMETERS)<br>2) ALL DIMENSIONS ARE AFTER PLATING.<br>3) BREAK CORNERS & EDGES .005 R. MAX.<br>4) CHAM. 1ST & LAST THREADS.<br>5) SURFACE ROUGHNESS 63-MIL-STD-10.<br>6) DIA: 'S ON COMMON CENTERS TO BE CONCENTRIC WITHIN .005 T.I.R.<br>7) REMOVE ALL BURRS | <br>Amphenol<br>2400 Centrepark West Drive, Suite 100<br>West Palm Beach, FL 33409<br>TITLE:<br><b>BMA R/A PLUG RECEPTACLE PCB MOUNT</b> |
| FINISH: SEE NOTES   | DECIMAL: X $\pm .030$<br>.XX $\pm .010$<br>.XXX $\pm .005$  | INTERPRET DIMENSIONS AND TOLERANCES PER ASME Y14.5M - 1994   |  |
| SURFACE AREA: N/A   | THIRD ANGLE PROJECTION  | DRAWN: VMJ 04/12/00  | SIZE   CAGE CODE   DWG. NO.<br><b>B</b>   <b>95077</b>   <b>1789-6001</b>  |
| PROPRIETARY<br>THE INFORMATION CONTAINED IN THIS DRAWING IS THE SOLE PROPERTY OF SV MICROWAVE, INC. ANY REPRODUCTION IN PART OR AS A WHOLE WITHOUT THE WRITTEN PERMISSION OF SV MICROWAVE, INC IS PROHIBITED. |   | CHECKED: STW 04/13/00  | SCALE: 5:1   |
|   |   | APPROVED: STW 04/13/00   | SHEET 1 OF 1   |