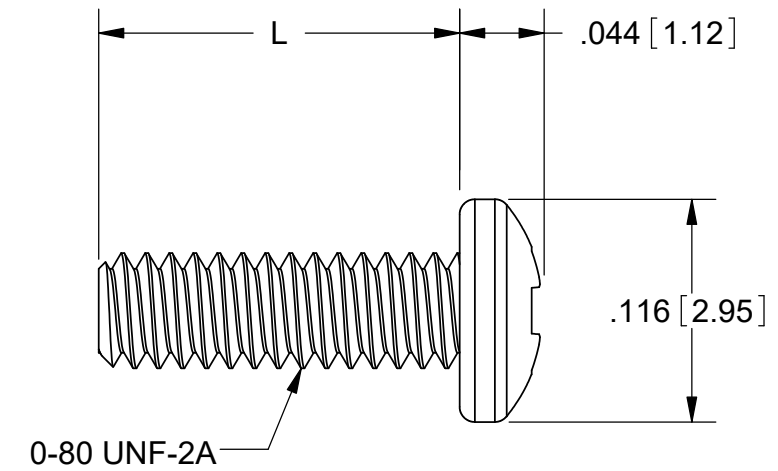
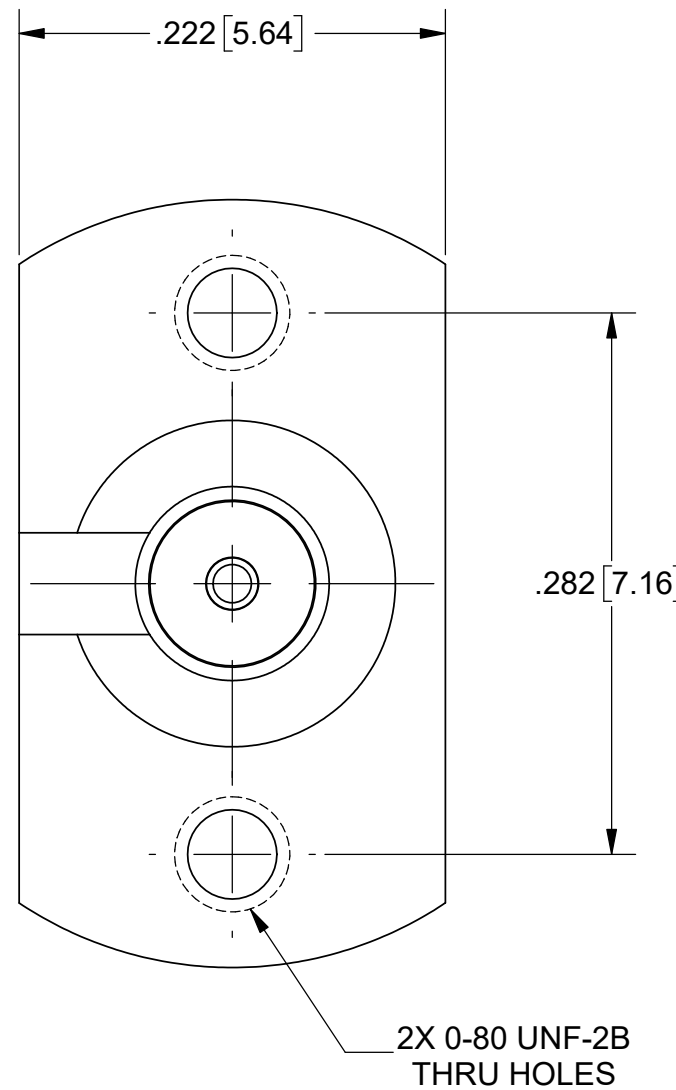
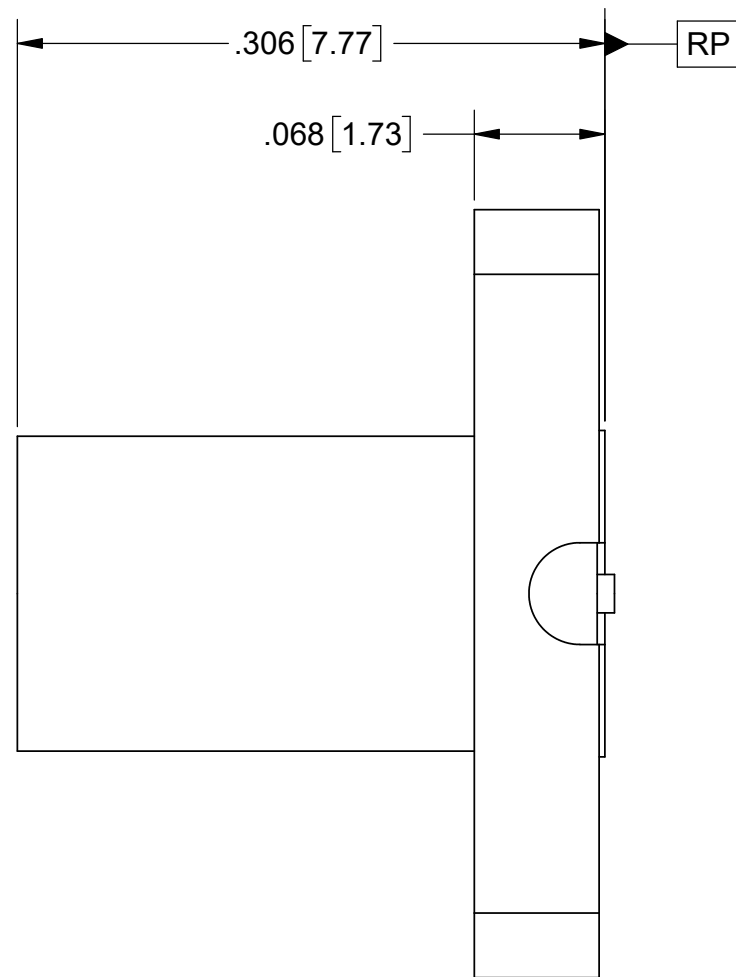


PRODUCT DATA DRAWING

REVISION HISTORY			
REV	DESCRIPTION	DATE	APPROVED
A	DCN 47400	5/18	STW
B	DCN 48141	11/18	STW



SCREW OPTIONS	L
FOR -1S	.188
FOR -2S	.250

MATERIAL:

BODY: STAINLESS STEEL PER AMS-5640, ALLOY UNS S30300, TYPE 1; OR ASTM A582 TYPE 303, COND. A

CONTACT: BERYLLIUM COPPER PER ASTM B196, ALLOY No. UNS C17300, TD04

INSULATOR: PTFE PER ASTM D1710, TYPE I, GRADE 1, CLASS B

FINISH:

BODY: PASSIVATED PER AMS-2700


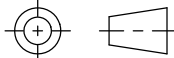
CONTACT: GOLD PER ASTM B488, TYPE II, CODE C, CLASS 1.27, OVER NICKEL PER AMS-QQ-N-290, CLASS 1, .00005" MIN.

PERFORMANCE:

IMPEDANCE: 50 OHMS

FREQ. RANGE: DC TO 40.0 GHz

SV P/N	DESCRIPTION	PCB THICKNESS
SF1211-66344-1S	INCL. TWO .188 SCREWS	.005 TO .123
SF1211-66344-2S	INCL. TWO .250 SCREWS	.060 TO .185
SF1211-66344	NO SCREWS	.005 TO .373

MATERIAL: SEE NOTES FINISH: SEE NOTES SURFACE AREA: N/A PROPRIETARY THE INFORMATION CONTAINED IN THIS DRAWING IS THE SOLE PROPERTY OF SV MICROWAVE, INC. ANY REPRODUCTION IN PART OR AS A WHOLE WITHOUT THE WRITTEN PERMISSION OF SV MICROWAVE, INC IS PROHIBITED.	DIMENSIONS ARE IN INCHES TOLERANCES: FRACTIONAL: ±1/64 ANGULAR: X° ±1'0" X'X' ±15' DECIMAL: X ±.030 .XX ±.010 .XXX ±.005 INTERPRET DIMENSIONS AND TOLERANCES PER ASME Y14.5M - 1994	UNLESS OTHERWISE SPECIFIED 1) ALL DIMENSIONS ARE IN INCHES (MILLIMETERS) 2) ALL DIMENSIONS ARE AFTER PLATING. 3) BREAK CORNERS & EDGES .005 R. MAX. 4) CHAM. 1ST & LAST THREADS. 5) SURFACE ROUGHNESS 63-MIL-STD-10. 6) DIA: 'S' ON COMMON CENTERS TO BE CONCENTRIC WITHIN T.I.R. 7) REMOVE ALL BURRS	 www.svmicrowave.com TITLE: SMP 2 HOLE FLANGE, FD FOR PCB MICROSTRIP / CPW PCB MOUNT
	THIRD ANGLE PROJECTION 	DRAWN: GPF 5/10/18 CHECKED: STW 5/10/18 APPROVED: STW 5/10/18	