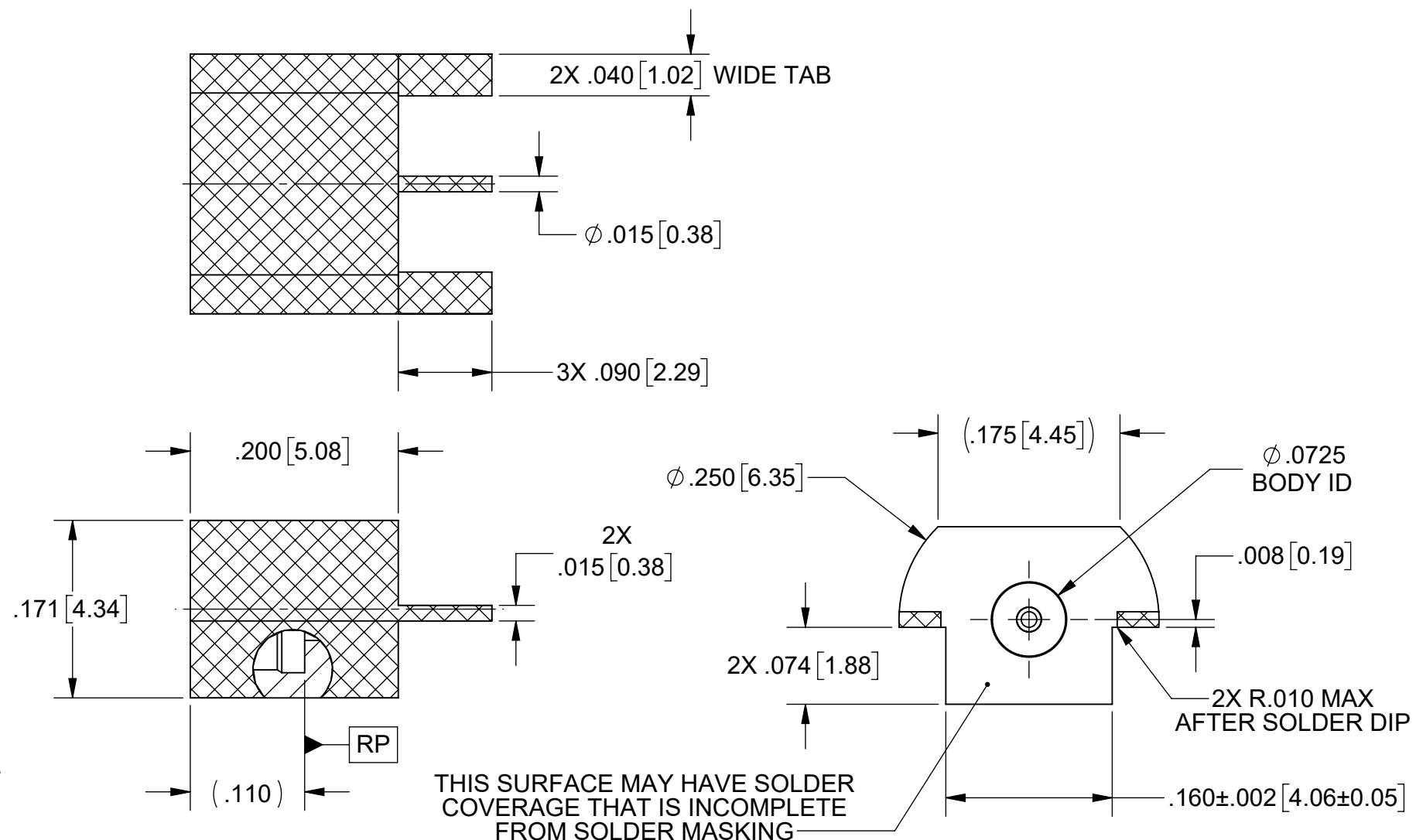
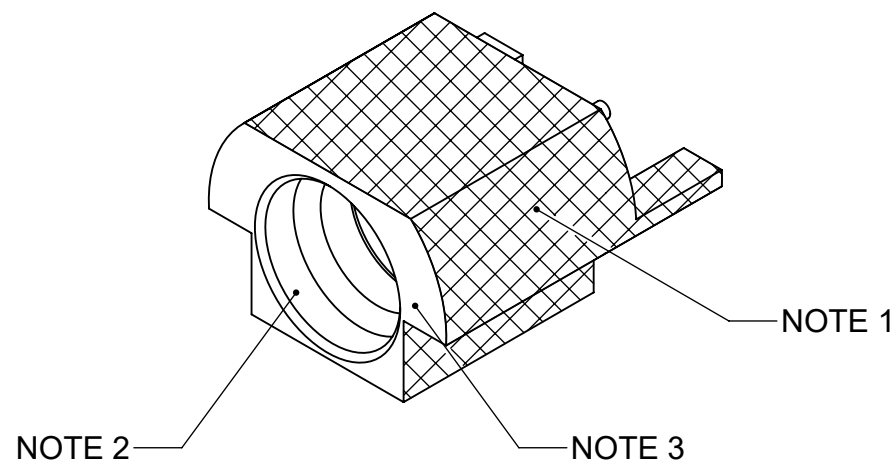


PRODUCT DATA DRAWING

REVISION HISTORY			
REV	DESCRIPTION	DATE	APPROVED
-	NRN 44729	04/20	STW
A	DCN 49919	06/20	STW



NOTES.

1. Sn63 SOLDER REQUIRED IN CROSS HATCHED AREAS AS SHOWN.
2. NO SOLDER ALLOWED IN INTERFACE.
3. SOLDER SPLASH ALLOWABLE ON THIS FACE.
4. CONNECTOR MUST BE FLUSH TO BOARD FOR OPTIMAL RF PERFORMANCE.
5. PART TO BE SHIPPED WITH TAPE AND REEL.

MATERIAL:

BODY: STAINLESS STEEL PER AMS-5640 OR ASTM A582 ALLOY S30300, TYPE 303, CONDITION A.

CONTACT: BERYLLIUM COPPER PER ASTM B196, ALLOY No. UNS C17300, TD04

INSULATOR: PTFE PER ASTM D1710, TYPE I, GRADE 1, CLASS B

FINISH:

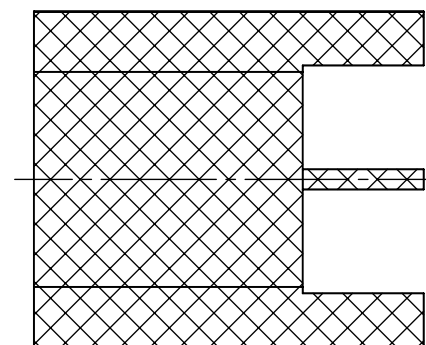
BODY & CONTACT: GOLD PER ASTM B488, TYPE II, CODE C, CLASS .76 (.00003" MIN), OVER NICKEL PER AMS-QQ-N-290, CLASS 1, .00010" MIN.

PERFORMANCE:

IMPEDANCE: 50 OHMS

FREQ. RANGE: DC TO 40.0 GHZ

INSUL. RES.: 5000 MEGOHMS, MIN.



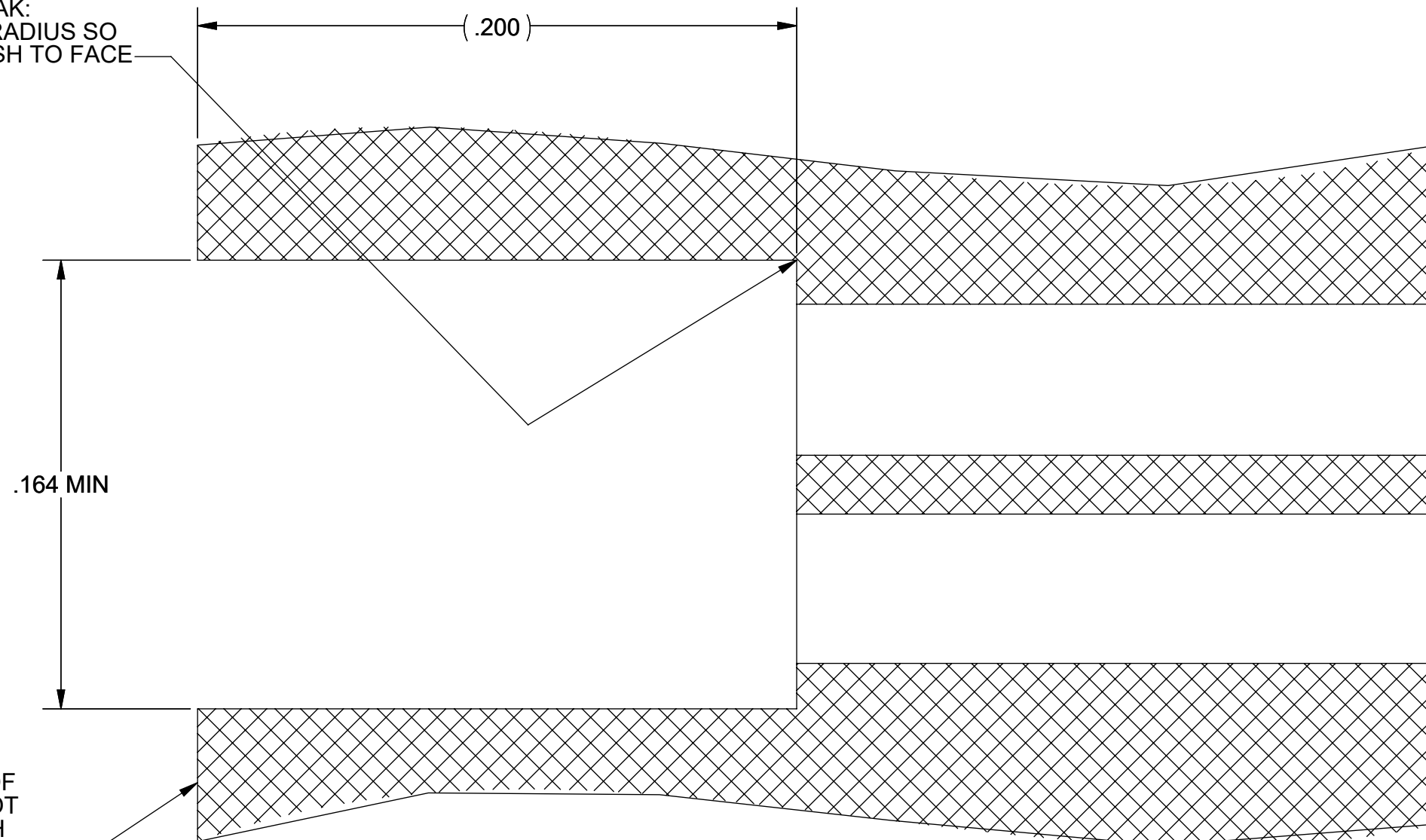
SV PART NUMBER	INTERFACE
1211-60209	SMOOTH BORE
1211-60210	LIMITED DETENT
1211-60211	FULL DETENT

MATERIAL: SEE NOTES	DIMENSIONS ARE IN INCHES TOLERANCES: FRACTIONAL: ±1/64 ANGULAR: X° ±1'0" X'X' ±15'	UNLESS OTHERWISE SPECIFIED 1) ALL DIMENSIONS ARE IN INCHES (MILLIMETERS) 2) ALL DIMENSIONS ARE AFTER PLATING. 3) BREAK CORNERS & EDGES .005 R. MAX. 4) CHAM. 1ST & LAST THREADS. 5) SURFACE ROUGHNESS 63-MIL-STD-10. 6) DIA: 'S ON COMMON CENTERS TO BE CONCENTRIC WITHIN .005 T.I.R. 7) REMOVE ALL BURRS	 www.svmicrowave.com TITLE: SMP MALE STRAIGHT PCB EDGE MOUNT
FINISH: SEE NOTES	DECIMAL: X ±.030 .XX ±.010 .XXX ±.005	INTERPRET DIMENSIONS AND TOLERANCES PER ASME Y14.5M - 1994	
SURFACE AREA: N/A	THIRD ANGLE PROJECTION	DRAWN: DTL 04/02/20	SIZE DWG. NO. 1211-60209-60211
<p>PROPRIETARY</p> <p>THE INFORMATION CONTAINED IN THIS DRAWING IS THE SOLE PROPERTY OF SV MICROWAVE, INC. ANY REPRODUCTION IN PART OR AS A WHOLE WITHOUT THE WRITTEN PERMISSION OF SV MICROWAVE, INC IS PROHIBITED.</p>		CHECKED: STW 04/02/20	SCALE: 16:1
		APPROVED: STW 04/02/20	SHEET 1 OF 2


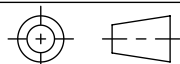
REVISION HISTORY			
REV	DESCRIPTION	DATE	APPROVED
	SEE SHEET 1		

RECOMMENDED PCB MECHANICAL FOOTPRINT

2X ZERO CORNER BREAK:
ENSURE ZERO TO NO RADIUS SO
CONNECTOR SITS FLUSH TO FACE



ENSURE EDGE OF
BOARD DOES NOT
INTERFERE WITH
MATING CONNECTOR

MATERIAL: SEE NOTES	DIMENSIONS ARE IN INCHES TOLERANCES: FRACTIONAL: ±1/64 ANGULAR: X° ±1°0' X°X' ±15'	UNLESS OTHERWISE SPECIFIED	 <p>Amphenol www.svmicrowave.com</p>
FINISH: SEE NOTES	DECIMAL: X ±.030 .XX ±.010 .XXX ±.005	1) ALL DIMENSIONS ARE IN INCHES (MILLIMETERS) 2) ALL DIMENSIONS ARE AFTER PLATING. 3) BREAK CORNERS & EDGES .005 R. MAX. 4) CHAM. 1ST & LAST THREADS. 5) SURFACE ROUGHNESS 63-MIL-STD-10. 6) DIA: 'S ON COMMON CENTERS TO BE CONCENTRIC WITHIN T.I.R. 7) REMOVE ALL BURRS	
SURFACE AREA: N/A	INTERPRET DIMENSIONS AND TOLERANCES PER ASME Y14.5M - 1994		TITLE: SMP MALE STRAIGHT PCB EDGE MOUNT
PROPRIETARY THE INFORMATION CONTAINED IN THIS DRAWING IS THE SOLE PROPERTY OF SV MICROWAVE, INC. ANY REPRODUCTION IN PART OR AS A WHOLE WITHOUT THE WRITTEN PERMISSION OF SV MICROWAVE, INC IS PROHIBITED.	THIRD ANGLE PROJECTION	DRAWN: SEE SHEET 1	SIZE DWG. NO. B 1211-60209-60211
		CHECKED:	SCALE: 16:1
		APPROVED:	SHEET 2 OF 2