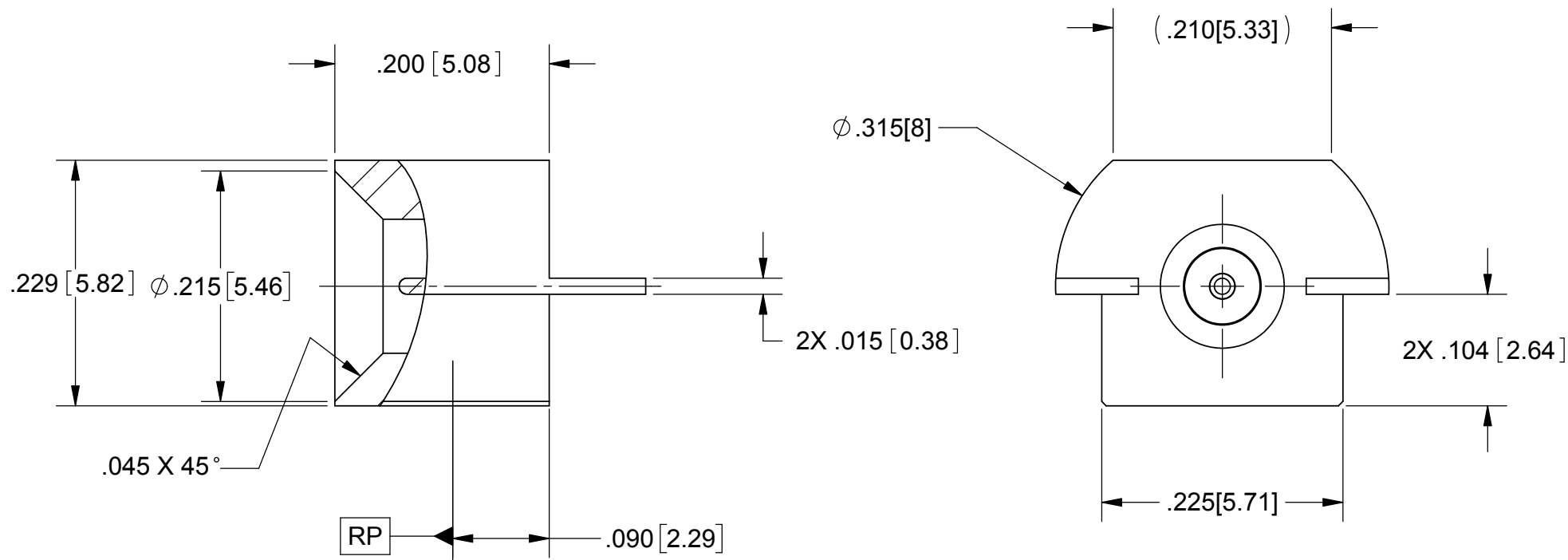
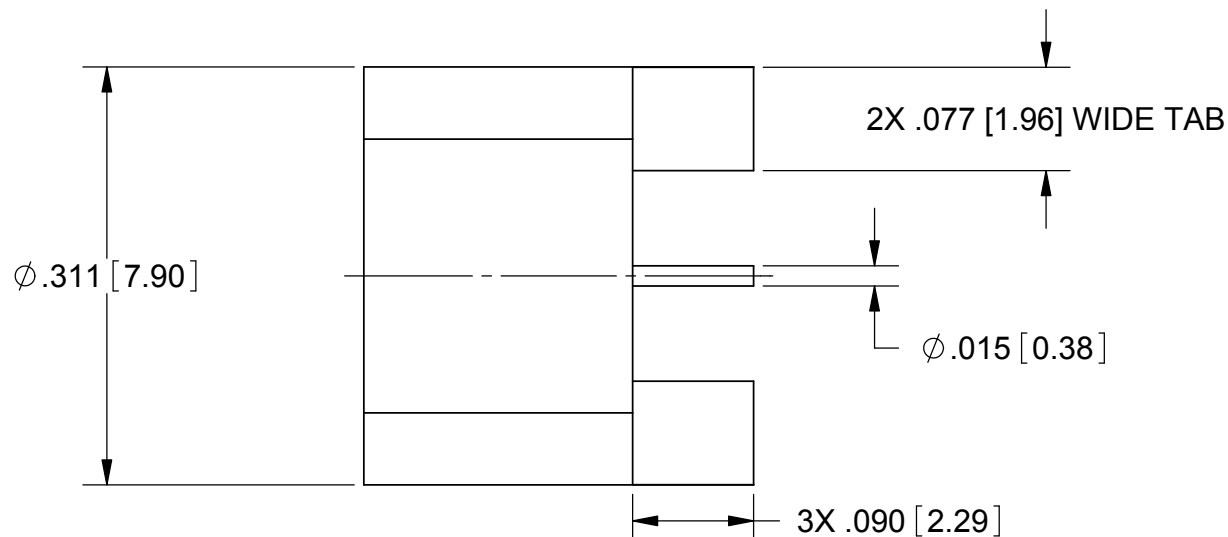
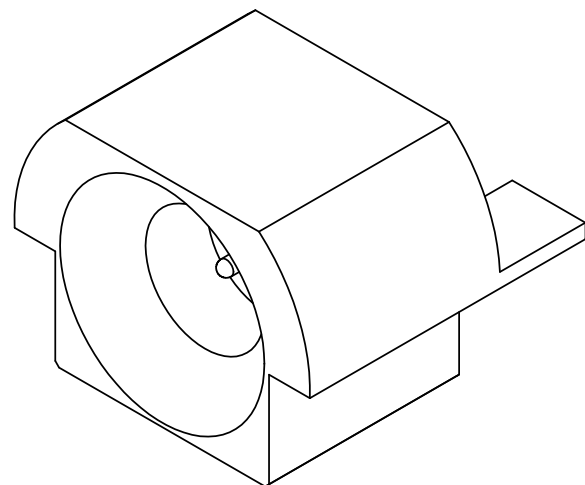


REVISION HISTORY			
REV	DESCRIPTION	DATE	APPROVED
-	DCN 38481	08/11	FED
A	DCN 45420	05/17	STW

PRODUCT DATA DRAWING



MATERIAL:

BODY: STAINLESS STEEL PER AMS-5640
 CONTACT: BERYLLIUM COPPER PER ASTM B196
 INSULATOR: PTFE PER ASTM D1710

FINISH:

BODY & CONTACT: GOLD PER ASTM B488, TYPE II, CODE C, CLASS 1.27, OVER NICKEL PER AMS-QQ-N-290, CLASS 1, .00005" MIN.

PERFORMANCE:

IMPEDANCE: 50 OHMS
 FREQ. RANGE: DC TO 26.5 GHz
 INSUL. RES.: 5000 MEGOHMS, MIN.

NOTES:

- FOR RECOMMENDED FOOTPRINT TO YOUR SPECIFIC PCB, CONTACT SV MICROWAVE SALES DEPARTMENT (sales@svmicro.com, 561-840-1800)

MATERIAL: PER BOM	DIMENSIONS ARE IN INCHES TOLERANCES: FRACTIONAL: ±1/64 ANGULAR: X° ±1'0" X"X' ±15'	UNLESS OTHERWISE SPECIFIED 1) ALL DIMENSIONS ARE AFTER PLATING. 2) BREAK CORNERS & EDGES .005 R. MAX. 3) CHAM. 1ST & LAST THREADS. 4) SURFACE ROUGHNESS 63 √ MIL-STD-10. 5) DIA.'S ON COMMON CENTERS TO BE CONCENTRIC WITHIN .005 T.I.R. 6) REMOVE ALL BURRS	SV Microwave, Inc. 2400 Centrepark West Drive, Suite 100 West Palm Beach, FL 33409 TITLE: SMP MALE STRAIGHT PCB EDGE MOUNT CATCHER'S MITT
FINISH: PER BOM	DECIMAL: X ±.030 .XX ±.010 .XXX ±.005	INTERPRET DIMENSIONS AND TOLERANCES PER ASME Y14.5M - 1994	
PROPRIETARY THE INFORMATION CONTAINED IN THIS DRAWING IS THE SOLE PROPERTY OF SV MICROWAVE, INC. ANY REPRODUCTION IN PART OR AS A WHOLE WITHOUT THE WRITTEN PERMISSION OF SV MICROWAVE, INC IS PROHIBITED.	THIRD ANGLE PROJECTION	DRAWN: PJS 03/15/11	SIZE B CAGE CODE 95077 DWG. NO. 1211-66175
		CHECKED:	SCALE: 7:1
		APPROVED:	E.M. SIMULATION: N/A