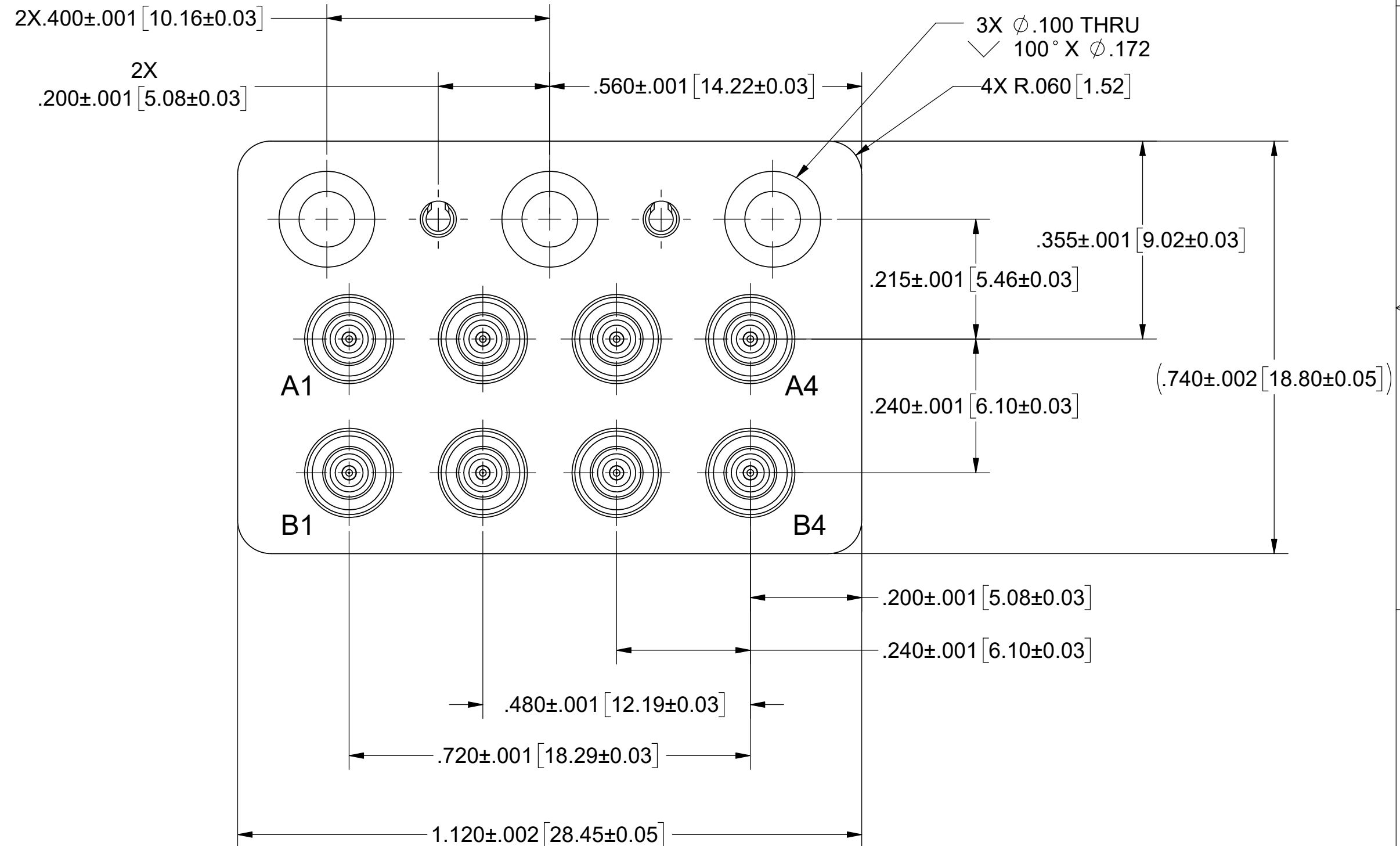
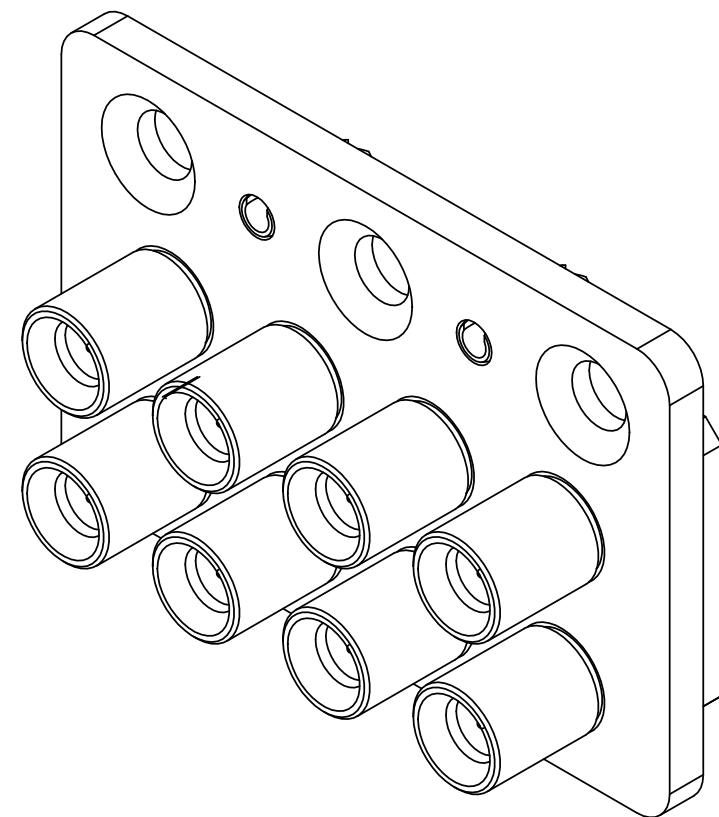
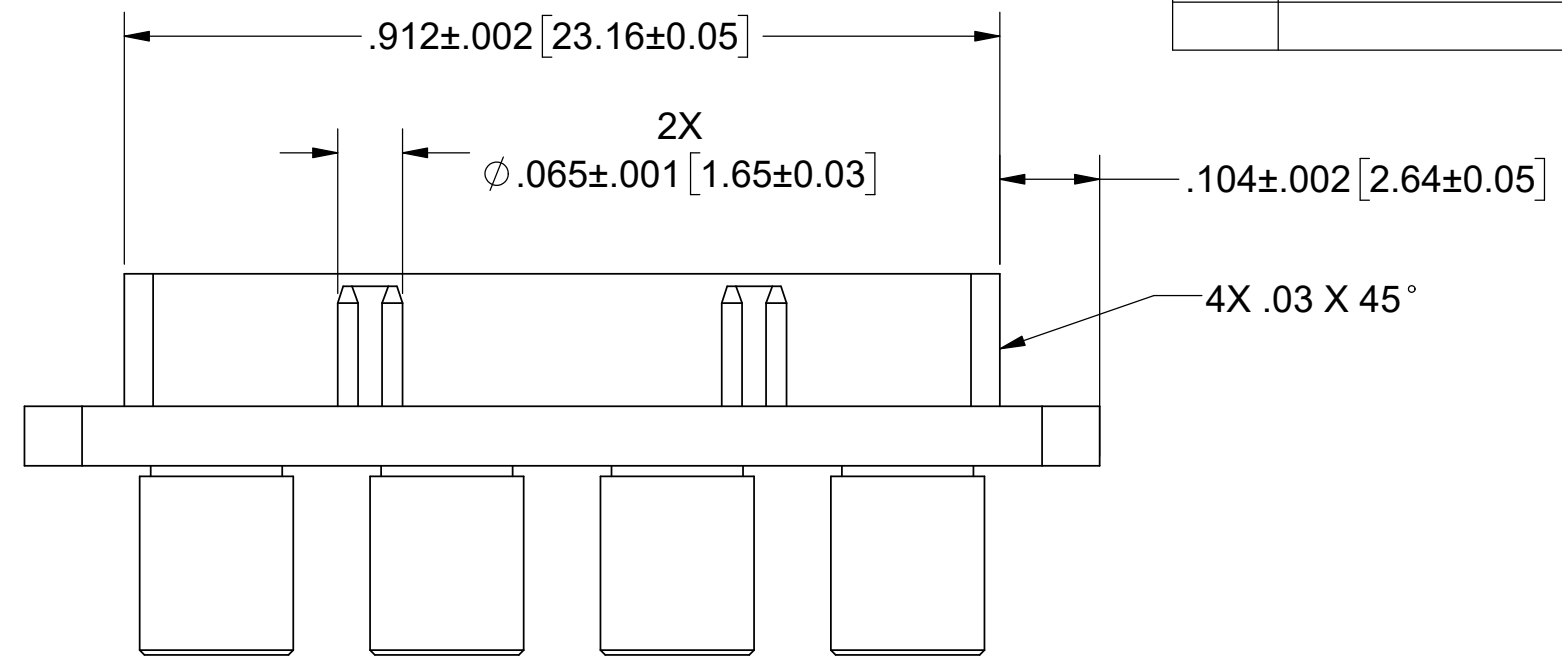
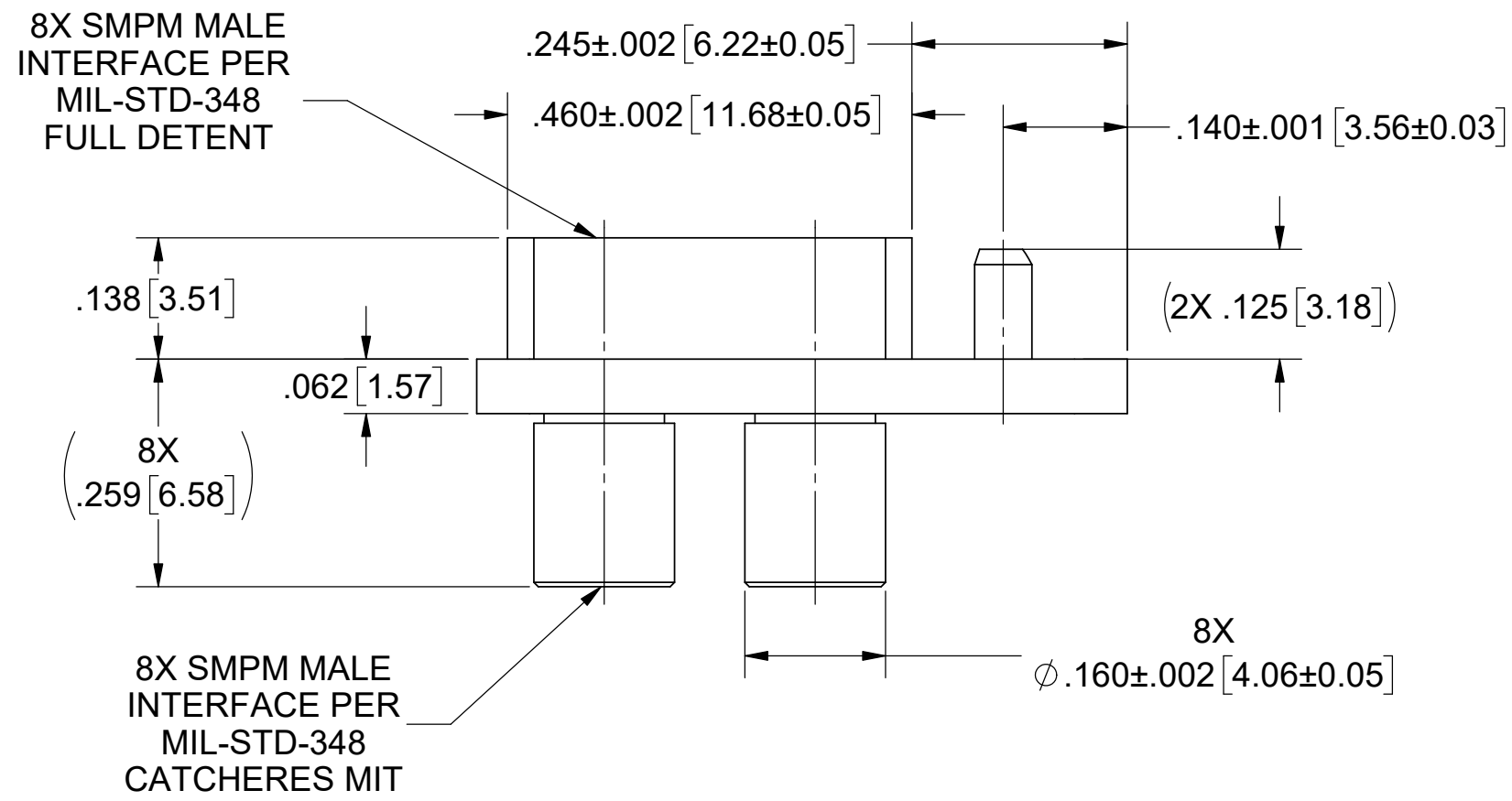


PRODUCT DATA DRAWING

REVISION HISTORY			
REV.	DESCRIPTION	DATE	APPROVED
B	DCN 48135	11/18	STW



- MATERIAL:**
FLANGE: STAINLESS STEEL PER AMS-5640, ALLOY UNS S30300, TYPE 1.
SPRING PINS: STAINLESS STEEL PER ASTM A313, ALLOY UNS S30200, TYPE 302.
CONTACTS & SMPM BODIES: BERYLLIUM COPPER PER ASTM B196, ALLOY No. UNS C-17300, TD04.
INSULATORS: PTFE PER ASTM D1710, TYPE I, GRADE 1, CLASS B.
FINISH:
FLANGE: PASSIVATED PER AMS-2700.
CONTACTS & SMPM BODIES: GOLD PER ASTM B488, TYPE II, CODE C, CLASS 1.27, OVER NICKEL PER AMS-QQ-N-290, CLASS 1, .00005" MIN.
PERFORMANCE:
IMPEDANCE: 50 OHMS
FREQ. RANGE: DC TO 26.5 GHz
VSWR: 1.50:1, MATED PAIR, DC TO 26.5 GHz
INSERTION LOSS: .12 X SQRT(F IN GHz)
DWV: 1000 VRMS
OPERATING TEMP.: -55°C TO +125°C

MATERIAL: SEE NOTES
FINISH: SEE NOTES
DO NOT SCALE DRAWING
PROPRIETARY
THE INFORMATION CONTAINED IN THIS DRAWING IS THE SOLE PROPERTY OF SV MICROWAVE, INC. ANY REPRODUCTION IN PART OR AS A WHOLE WITHOUT THE WRITTEN PERMISSION OF SV MICROWAVE, INC. IS PROHIBITED.

DIMENSIONS ARE IN INCHES
TOLERANCES:
ANGULAR: ±1°
ONE PLACE DECIMAL ±.030
TWO PLACE DECIMAL ±.010
THREE PLACE DECIMAL ±.005
INTERPRET DIMENSIONS AND TOLERANCES PER ASME Y14.5M - 1994

UNLESS OTHERWISE SPECIFIED:
1. ALL DIMENSIONS ARE AFTER PLATING.
2. BREAK CORNERS & EDGES R.005 MAX.
3. CHAMFER 1ST AND LAST THREAD.
4. SURFACE ROUGHNESS 63 PER MIL-STD-10.
5. DIA'S ON COMMON CENTERS TO BE CONCENTRIC WITHIN .005 T.I.R.
6. REMOVE ALL BURRS.

THIRD ANGLE PROJECTION

SV Microwave, Inc.®
2400 Centrepark West Drive, Suite 100
West Palm Beach, FL 33409

TITLE:
**VITA 67.2 BACKPLANE
8 PORT MODULE**

SIZE	CAGE CODE	DWG. NO.
C	95077	SF1132-6036

SCALE: 5:1 SHEET 1 OF 1

DRAWN: JMC 02/09/11
CHECKED: STW 02/10/11
APPROVED: STW 02/10/11
E.M. SIMULATION: N/A