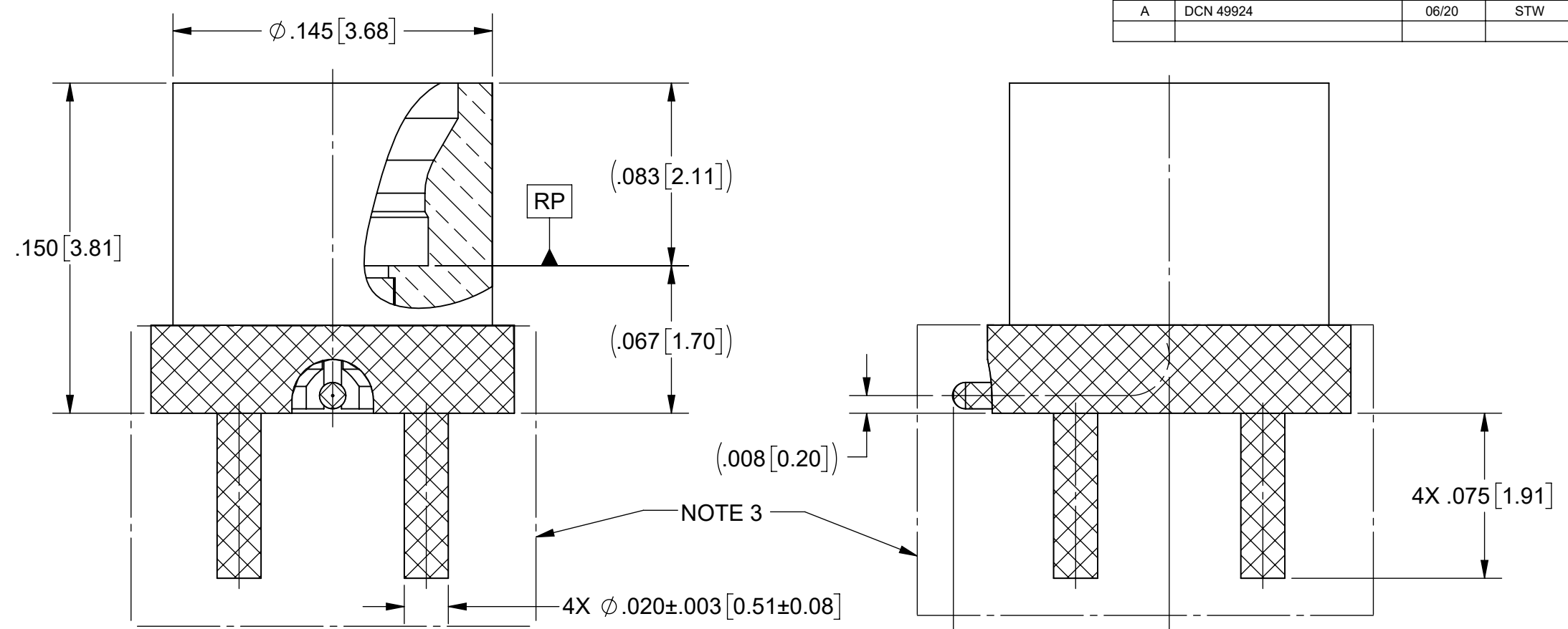
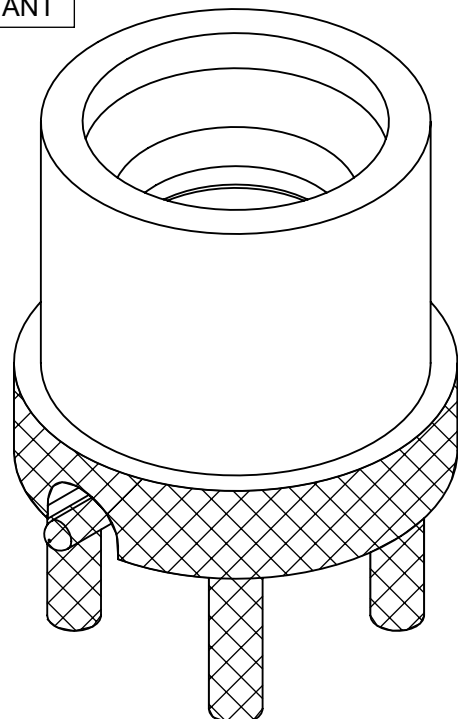


# PRODUCT DATA DRAWING

REVISION HISTORY			
REV	DESCRIPTION	DATE	APPROVED
-	NRN 44730	04/20	STW
A	DCN 49924	06/20	STW



**MATERIAL:**

**BODY & CONTACT:** BERYLLIUM COPPER PER ASTM B196, ALLOY No. UNS C17300, TD04

**INSULATOR:** POLYAMIDE-IMIDE

**FINISH:**

**BODY & CONTACT:** GOLD PER ASTM B488, TYPE II, CODE C, CLASS .76, OVER NICKEL PER AMS-QQ-N-290, CLASS 1, .00010" MIN.

**PERFORMANCE:**

**IMPEDANCE:** 50 OHMS

**FREQ. RANGE:** DC TO 25.0 GHz.

**DWV:** 325 VRMS

**OPERATING TEMP:** -55°C TO +125°C

**INSULATION RES.:** 5,000 MEGAOHMS MINIMUM

**NOTES:**

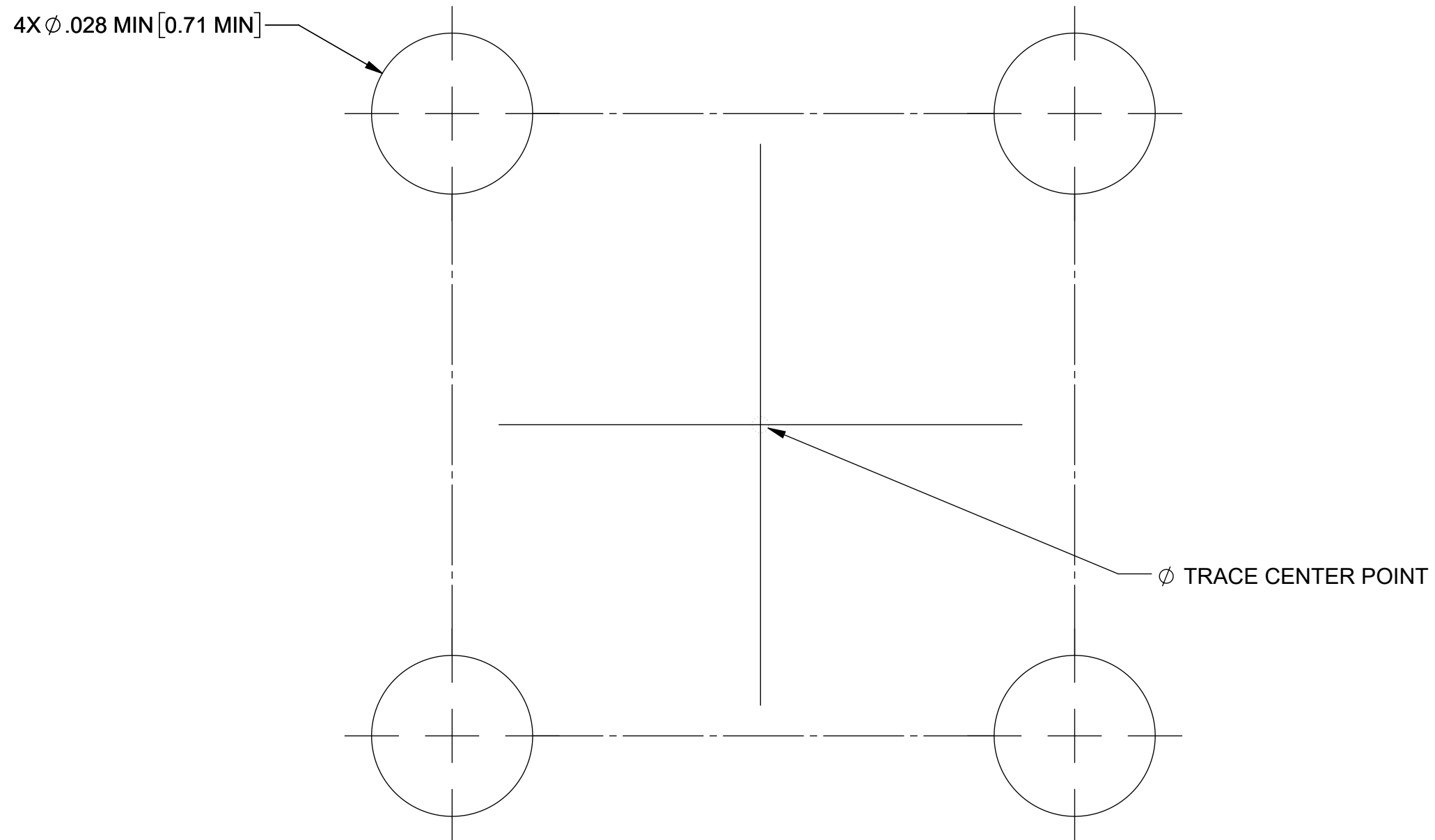
- DIMENSIONS APPLY PRIOR TO PRE-TINNING
- Sn63 SOLDER REQUIRED IN HATCHED AREA.
- SOLDER PERMISSIBLE ON OUTER AND ADJACENT SURFACES OF BODY IN THIS AREA.
- PARTS TO BE SHIPPED WITH TAPE AND REEL.
- FOR A FOOTPRINT RECOMMENDATION SPECIFIC TO YOUR PCB, PLEASE CONTACT US AT applications@svmicro.com


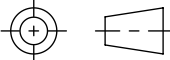
PART NUMBER	INTERFACE
3211-40093	SMOOTH BORE
3211-40094	FULL DETENT

MATERIAL: SEE NOTES	DIMENSIONS ARE IN INCHES TOLERANCES:	UNLESS OTHERWISE SPECIFIED 1) ALL DIMENSIONS ARE IN INCHES (MILLIMETERS) 2) ALL DIMENSIONS ARE AFTER PLATING. 3) BREAK CORNERS & EDGES .005 R. MAX. 4) CHAM. 1ST & LAST THREADS. 5) SURFACE ROUGHNESS 63-MIL-STD-10. 6) DIA: 'S ON COMMON CENTERS TO BE CONCENTRIC WITHIN .005 T.I.R. 7) REMOVE ALL BURRS	<p>Amphenol www.svmicrowave.com</p>
FINISH: SEE NOTES	FRACTIONAL: $\pm 1/64$ ANGULAR: X° $\pm 1'0''$ X°X' $\pm 15''$		
SURFACE AREA: N/A	DECIMAL: X $\pm .030$ .XX $\pm .010$ .XXX $\pm .005$	INTERPRET DIMENSIONS AND TOLERANCES PER ASME Y14.5M - 1994	TITLE: SMPM MALE PCB SMT W/ R/A CONTACT
<p><b>PROPRIETARY</b></p> <p>THE INFORMATION CONTAINED IN THIS DRAWING IS THE SOLE PROPERTY OF SV MICROWAVE, INC. ANY REPRODUCTION IN PART OR AS A WHOLE WITHOUT THE WRITTEN PERMISSION OF SV MICROWAVE, INC IS PROHIBITED.</p>	THIRD ANGLE PROJECTION	DRAWN: DTL 04/02/20 CHECKED: STW 04/02/20 APPROVED: STW 04/02/20	SIZE DWG. NO. B 3211-40093-40094 SCALE: 16:1

REVISION HISTORY			
REV	DESCRIPTION	DATE	APPROVED
	SEE SHEET 1		

## RECOMMENDED PCB MECHANICAL FOOTPRINT



MATERIAL: SEE NOTES	DIMENSIONS ARE IN INCHES TOLERANCES: FRACTIONAL: $\pm 1/64$ ANGULAR: X° $\pm 1'0''$ X°X' $\pm 15''$	UNLESS OTHERWISE SPECIFIED 1) ALL DIMENSIONS ARE IN INCHES (MILLIMETERS) 2) ALL DIMENSIONS ARE AFTER PLATING. 3) BREAK CORNERS & EDGES .005 R. MAX. 4) CHAM. 1ST & LAST THREADS. 5) SURFACE ROUGHNESS 63-MIL-STD-10. 6) DIA.'S ON COMMON CENTERS TO BE CONCENTRIC WITHIN T.I.R. 7) REMOVE ALL BURRS	 www.svmicrowave.com
FINISH: SEE NOTES	DECIMAL: X $\pm .030$ .XX $\pm .010$ .XXX $\pm .005$		
SURFACE AREA: N/A	INTERPRET DIMENSIONS AND TOLERANCES PER ASME Y14.5M - 1994		TITLE: SMPM MALE PCB SMT WITH R/A CONTACT
<b>PROPRIETARY</b> THE INFORMATION CONTAINED IN THIS DRAWING IS THE SOLE PROPERTY OF SV MICROWAVE, INC. ANY REPRODUCTION IN PART OR AS A WHOLE WITHOUT THE WRITTEN PERMISSION OF SV MICROWAVE, INC IS PROHIBITED.	THIRD ANGLE PROJECTION 	DRAWN: SEE SHEET 1	SIZE DWG. NO. <b>B</b> 3211-40093-40094
		CHECKED:	SCALE: 16:1
		APPROVED:	SHEET 2 OF 2