

PRODUCT DATA DRAWING

REVISION HISTORY			
REV	DESCRIPTION	DATE	APPROVED
-	NRN 44886	06/20	BNK

MATERIALS:

- BODIES, CONTACTS & EMI / ANTI-ROCK RING: BERYLLIUM COPPER PER ASTM B196, ALLOY No. UNS C17300, TD04.
- INSULATORS: PTFE PER ASTM D1710, TYPE I, GRADE 1, CLASS B
- SLEEVE: STAINLESS STEEL PER AMS-5640, ALLOY UNS S30300, TYPE 1; OR ASTM A582 TYPE 303, COND. A
- SPRING: STAINLESS STEEL PER AMS-5678, ALLOY S17700.

FINISHES:

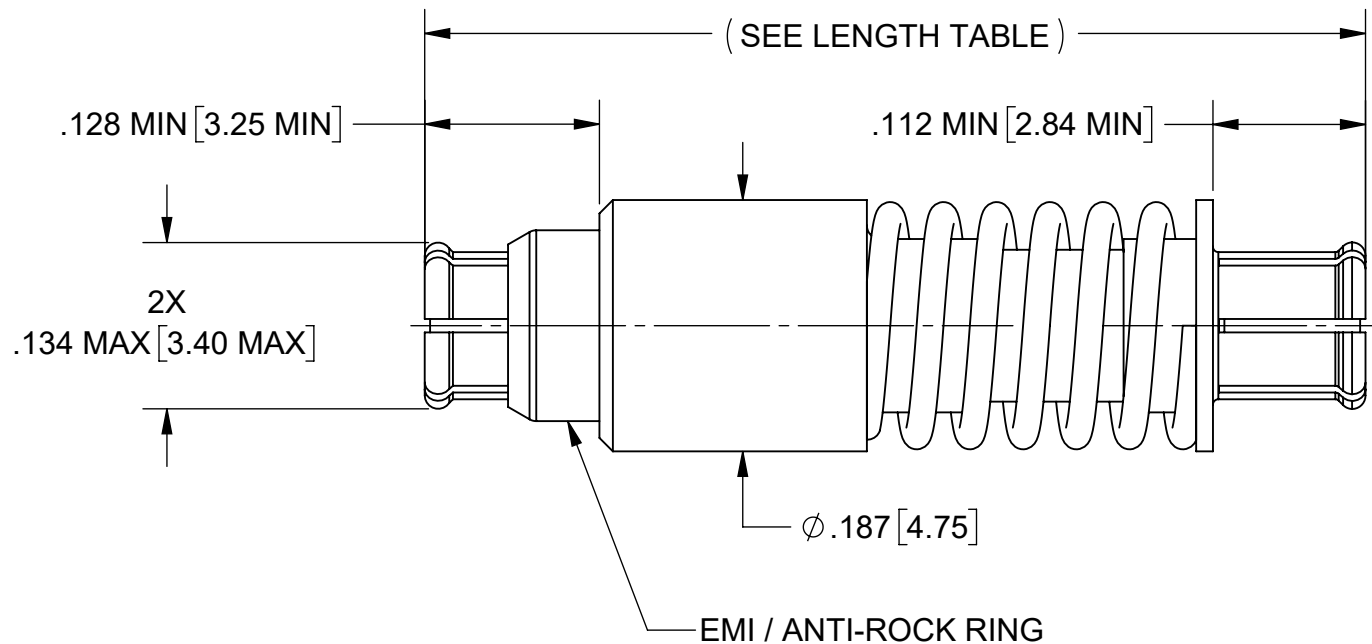
- BODIES, CONTACTS, EMI / ANTI-ROCK RING & SLEEVE: GOLD PER ASTM B488, TYPE II, CODE C, CLASS 1.27, OVER NICKEL PER AMS-QQ-N-290, CLASS 1, .00005" MIN.
- SPRING: PASSIVATED PER AMS 2700.

ELECTRICAL SPECIFICATIONS:

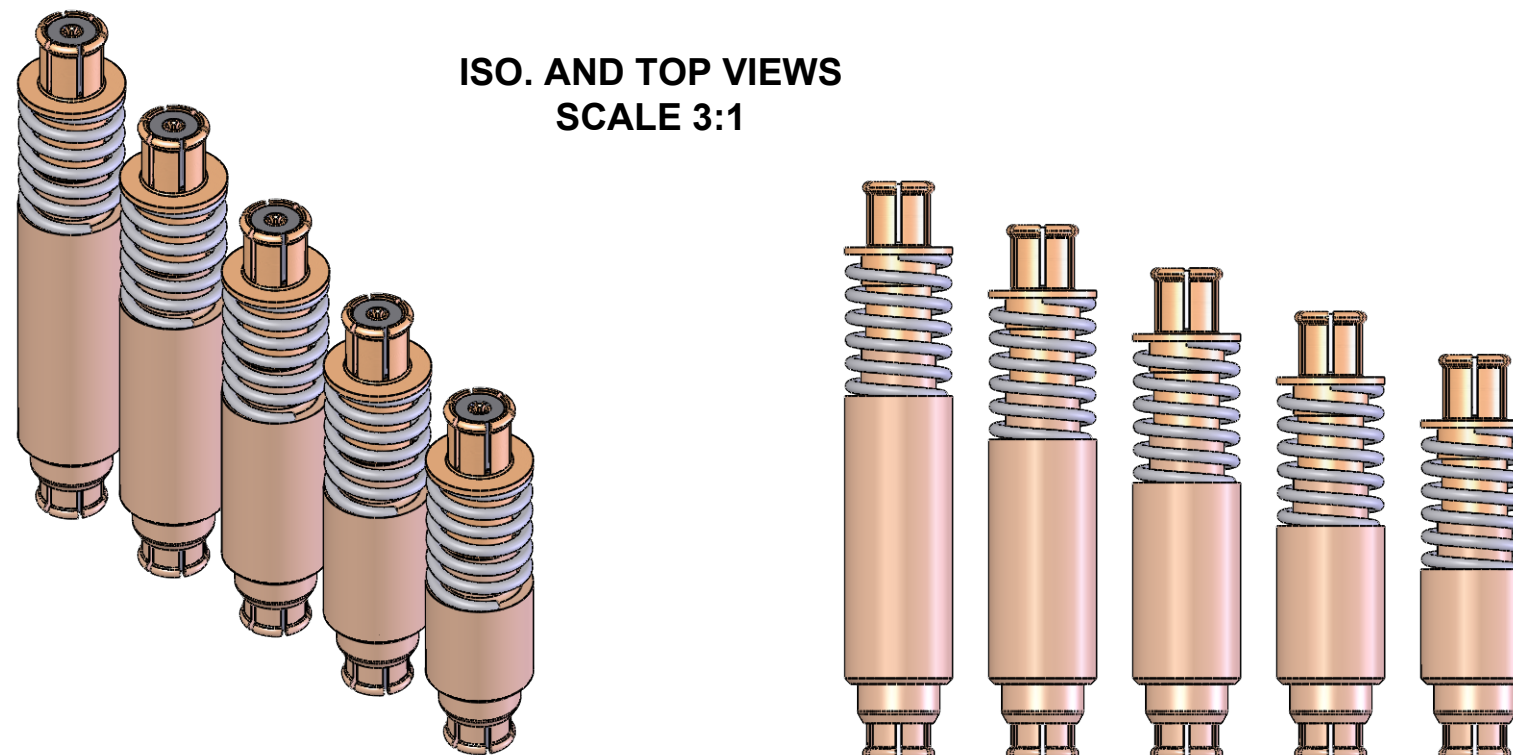
- IMPEDANCE: 50 OHMS
- FREQ. RANGE: DC TO 40.0 GHz.

MECHANICAL SPECIFICATIONS:

- SPRING FORCE: 4.0 LBS MAXIMUM AT FULL DEFLECTION, 2.0 LBS MINIMUM PRELOAD.
- ENGAGE FORCE:
 - FULL DETENT: 13.5 LBS MAXIMUM (6.0 LBS TYP.)
 - SMOOTH BORE: 2.5 LBS MAXIMUM (1.85 LBS TYP.)
- DISENGAGE FORCE:
 - FULL DETENT: 5.0 LBS MINIMUM (7.5 LBS TYP.)
 - SMOOTH BORE: 7.5 OZ MINIMUM (8.5 OZ TYP.)



ISO. AND TOP VIEWS
SCALE 3:1



LENGTH TABLE

SV PART NUMBER	LENGTHS		
	COMPRESSED	NOMINAL	UNCOMPRESSED
1112-4144	0.600	0.650	0.700
1112-4145	0.675	0.725	0.775
1112-4146	0.750	0.800	0.850
1112-4147	0.825	0.875	0.925
1112-4148	0.900	0.950	1.000

MATERIAL: SEE NOTES	DIMENSIONS ARE IN INCHES TOLERANCES: FRACTIONAL: ±1/64 ANGULAR: X° ±1'0" X°X' ±15'	UNLESS OTHERWISE SPECIFIED 1) ALL DIMENSIONS ARE IN INCHES (MILLIMETERS) 2) ALL DIMENSIONS ARE AFTER PLATING. 3) BREAK CORNERS & EDGES .005 R. MAX. 4) CHAM. 1ST & LAST THREADS. 5) SURFACE ROUGHNESS 63-MIL-STD-10. 6) DIA.'S ON COMMON CENTERS TO BE CONCENTRIC WITHIN .005 T.I.R. 7) REMOVE ALL BURRS	 www.svmicrowave.com TITLE: SMP FEMALE TO FEMALE COMPRESSIBLE ADAPTER SIZE DWG. NO. 1112-4144-4148 SCALE: 7:1
FINISH: SEE NOTES	DECIMAL: X ±.030 .XX ±.010 .XXX ±.005	INTERPRET DIMENSIONS AND TOLERANCES PER ASME Y14.5M - 1994	
SURFACE AREA: N/A	THIRD ANGLE PROJECTION	DRAWN: MKK 06/02/20	SHEET 1 OF 1
PROPRIETARY THE INFORMATION CONTAINED IN THIS DRAWING IS THE SOLE PROPERTY OF SV MICROWAVE, INC. ANY REPRODUCTION IN PART OR AS A WHOLE WITHOUT THE WRITTEN PERMISSION OF SV MICROWAVE, INC IS PROHIBITED.		CHECKED: BNK 06/02/20 APPROVED: BNK 06/02/20	