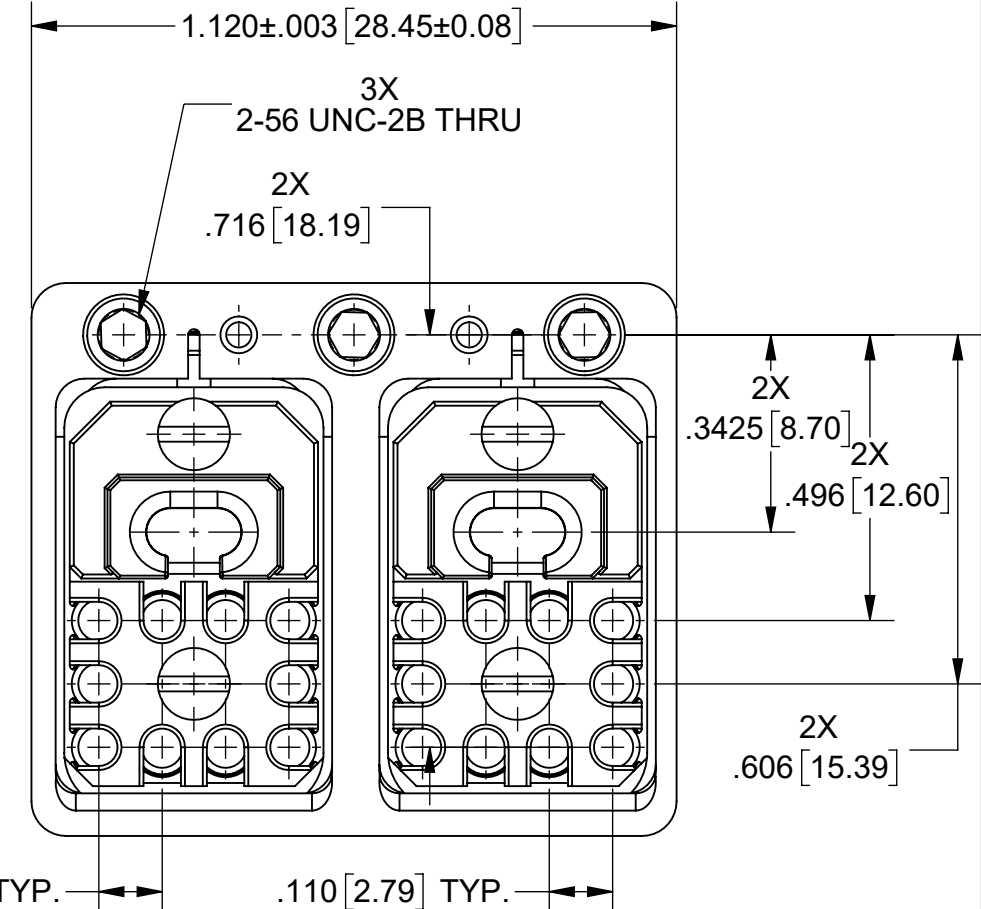
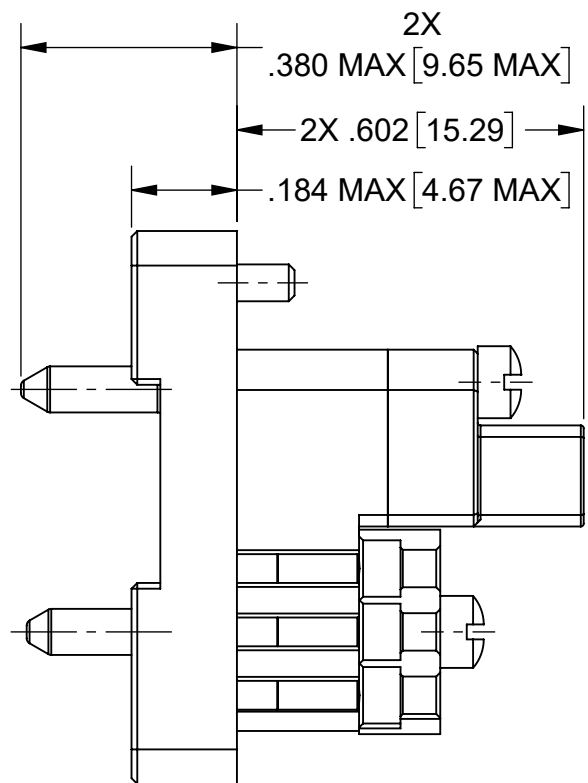
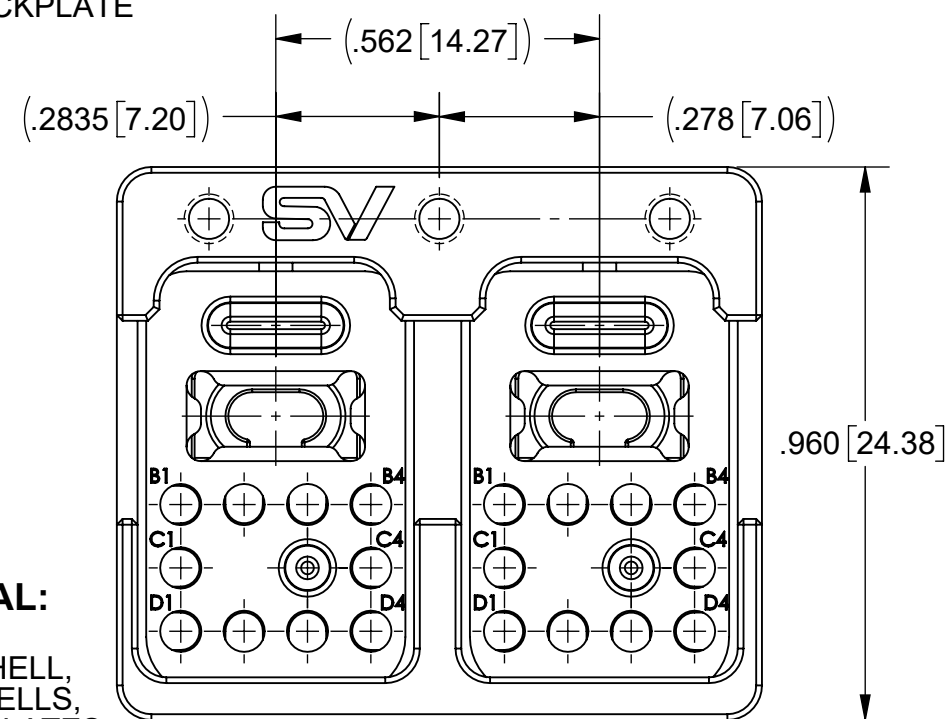
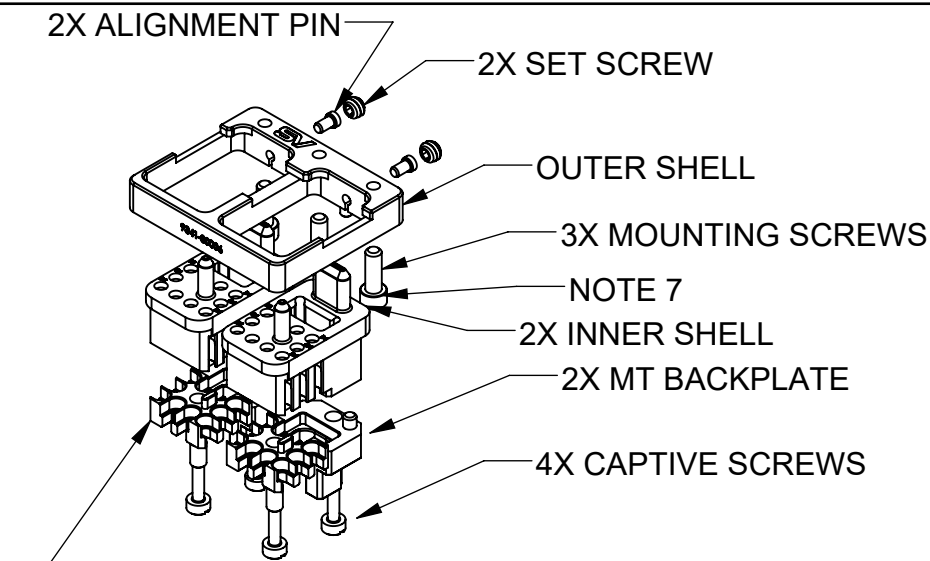


PRODUCT DATA DRAWING

REVISION HISTORY			
REV	DESCRIPTION	DATE	APPROVED
B	DCN 59684	05/26	SEE PDM



MATERIAL:

OUTER SHELL, INNER SHELLS, RF BACKPLATES, & MT FERRULES:

ALUMINUM PER ASTM B211 ALLOY 6061-T6 OR AMS-QQ-A-200/8 ALLOY 6061-T6

CAPTIVE SCREWS & ALIGNMENT PINS:

STAINLESS STEEL

SET & MOUNTING SCREWS:

18-8 STAINLESS STEEL

FINISH:

OUTER SHELL, INNER SHELLS, RF BACKPLATES, & MT FERRULES:

CHEMICAL CONVERSION COATING PER MIL-DTL-5541, CLASS 3 COLOR CLEAR, TYPE II

SCREWS AND ALIGNMENT PINS:

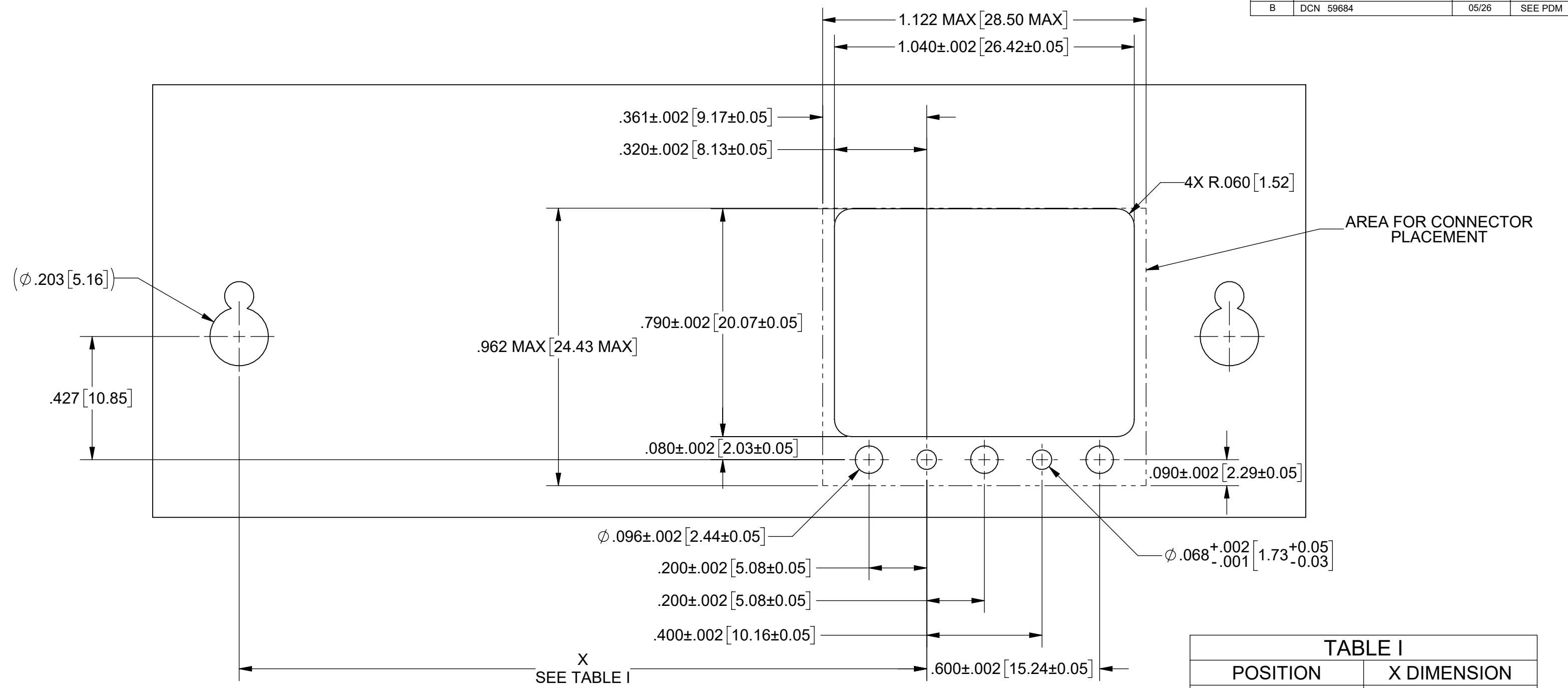
PASSIVATED

NOTES:


1. COMPLIANT TO VITA 66.5, VITA 65 SECTION 6.4.5.6.10, AND ALIGNED TO THE SOSA TECHNICAL STANDARD.
2. DESIGNED TO USE WITH NanoRF BACKPLANE CONTACTS FOR Ø.047 CABLE, SV P/N: 8341-40001 (TE P/N 2302345-1).
3. LICENSED EQUIVALENT TO TE P/N 2378048-1 AND CAN BE USED AS A DROP-IN REPLACEMENT.
4. SHIPPED WITHOUT MT FERRULE KIT.
5. MATES TO SV P/N 9351-80004.
6. PCB LAYOUT ON SHEET 2.
7. DATE CODES 2623 AND LATER INCLUDE THREE SETS OF MOUNTING SCREWS, COVERING PCB THICKNESSES OF .063"-.102", .097"-.133", AND 160"-.196".

MATERIAL: SEE NOTES	DIMENSIONS ARE IN INCHES TOLERANCES: FRACTIONAL: ±1/64 ANGULAR: X° ±1'0" X'X' ±15'	UNLESS OTHERWISE SPECIFIED 1) ALL DIMENSIONS ARE IN INCHES (MILLIMETERS) 2) ALL DIMENSIONS ARE AFTER PLATING. 3) BREAK CORNERS & EDGES .005 R. MAX. 4) CHAM. 1ST & LAST THREADS. 5) SURFACE ROUGHNESS 63-MIL-STD-10. 6) DIA: 'S ON COMMON CENTERS TO BE CONCENTRIC WITHIN .005 T.I.R. 7) REMOVE ALL BURRS	 TITLE: NANORF BACKPLANE MODULE, 2X 10 POS RF & FIBER OPTIC, FOR Ø.047 CABLE
FINISH: SEE NOTES	DECIMAL: X ±.030 .XX ±.010 .XXX ±.005	INTERPRET DIMENSIONS AND TOLERANCES PER ASME Y14.5M - 1994	
SURFACE AREA: N/A	THIRD ANGLE PROJECTION	DRAWN: JDT 4/1/24	SIZE DWG. NO. B 9341-80006
PROPRIETARY THE INFORMATION CONTAINED IN THIS DRAWING IS THE SOLE PROPERTY OF SV MICROWAVE, INC. ANY REPRODUCTION IN PART OR AS A WHOLE WITHOUT THE WRITTEN PERMISSION OF SV MICROWAVE, INC IS PROHIBITED.		CHECKED: SEE PDM	SCALE: 3:1
		APPROVED: SEE PDM	SHEET 1 OF 2

REVISION HISTORY			
REV	DESCRIPTION	DATE	APPROVED
B	DCN 59684	05/26	SEE PDM



POSITION	X DIMENSION
J2	2.385 [60.58]
J3	3.942 [100.13]
J4	5.276 [134.00]
J5	6.409 [162.80]
J6	7.557 [191.95]

MATERIAL: SEE NOTES	DIMENSIONS ARE IN INCHES TOLERANCES: FRACTIONAL: ±1/64 ANGULAR: X° ±1°0' X'X' ±15'	UNLESS OTHERWISE SPECIFIED 1) ALL DIMENSIONS ARE IN INCHES (MILLIMETERS) 2) ALL DIMENSIONS ARE AFTER PLATING. 3) BREAK CORNERS & EDGES .005 R. MAX. 4) CHAM. 1ST & LAST THREADS. 5) SURFACE ROUGHNESS 63-MIL-STD-10. 6) DIA: 'S ON COMMON CENTERS TO BE CONCENTRIC WITHIN .005 T.I.R. 7) REMOVE ALL BURRS	 www.svmicrowave.com
FINISH: SEE NOTES	DECIMAL: X ±.030 .XX ±.010 .XXX ±.005	INTERPRET DIMENSIONS AND TOLERANCES PER ASME Y14.5M - 1994	
SURFACE AREA: N/A	THIRD ANGLE PROJECTION	DRAWN: JDT 4/1/24	TITLE: NANORF BACKPLANE MODULE, 2X 10 POS RF & FIBER OPTIC, FOR ∅.047 CABLE
PROPRIETARY THE INFORMATION CONTAINED IN THIS DRAWING IS THE SOLE PROPERTY OF SV MICROWAVE, INC. ANY REPRODUCTION IN PART OR AS A WHOLE WITHOUT THE WRITTEN PERMISSION OF SV MICROWAVE, INC IS PROHIBITED.		CHECKED: SEE PDM	SIZE DWG. NO. B 9341-80006
		APPROVED: SEE PDM	SCALE: 3:1 SHEET 2 OF 2