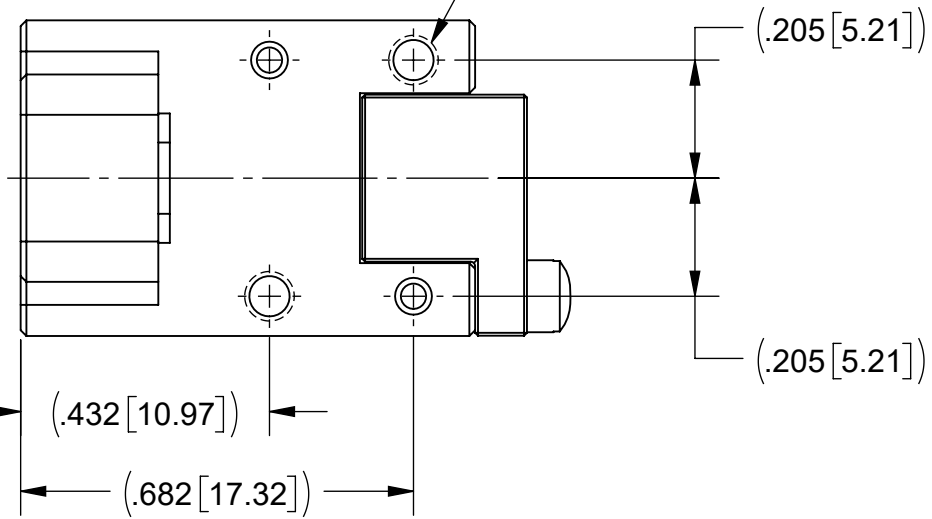
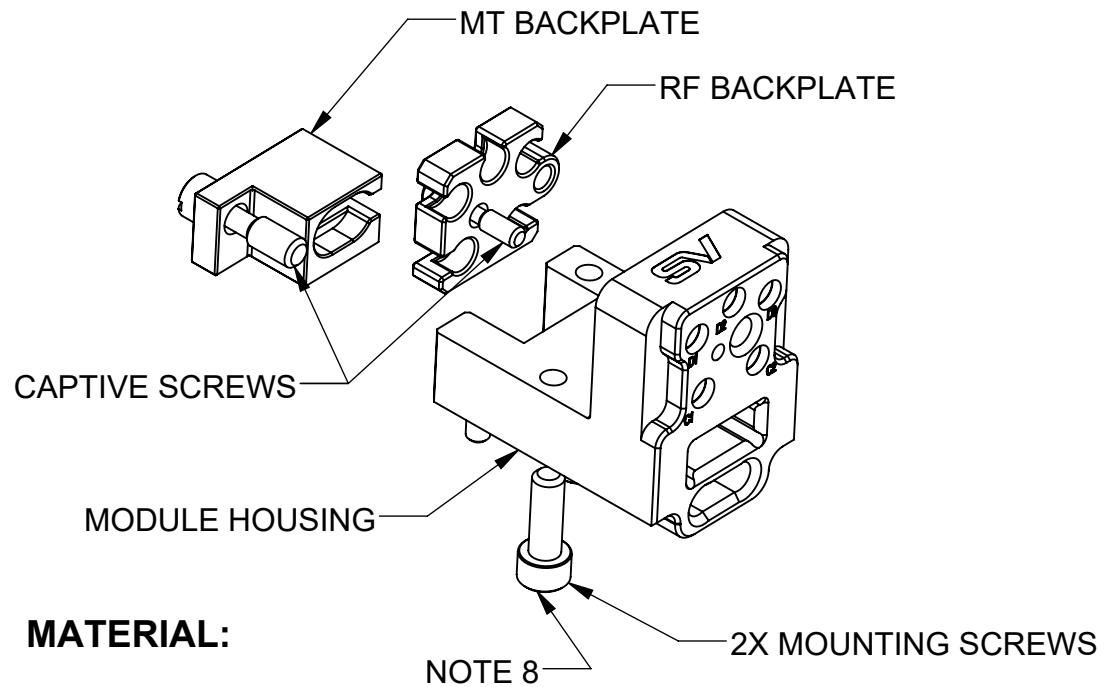
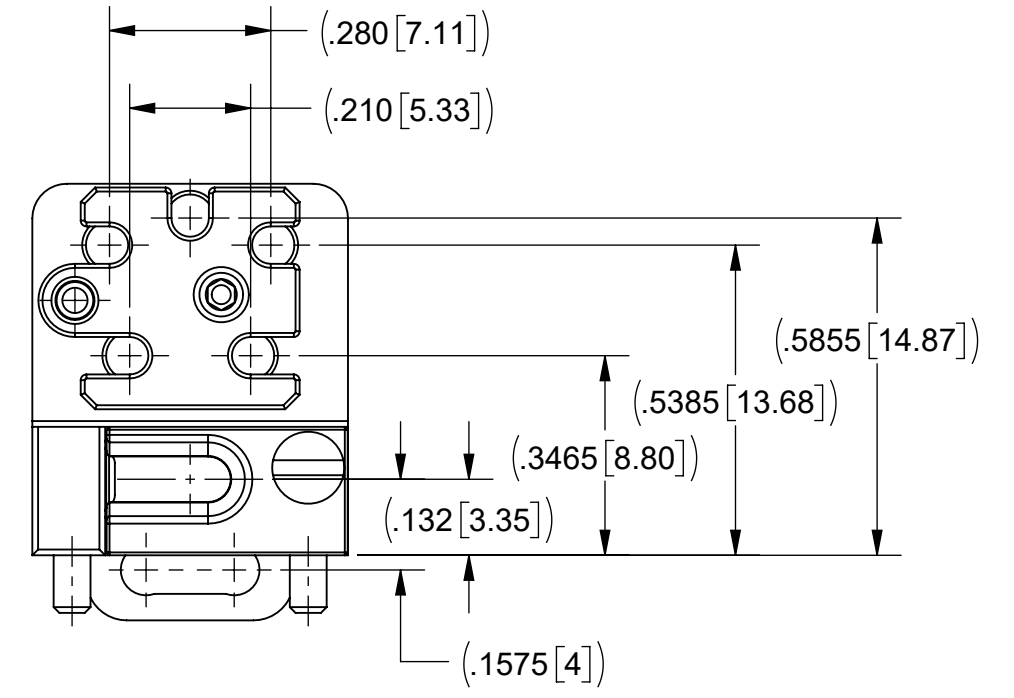
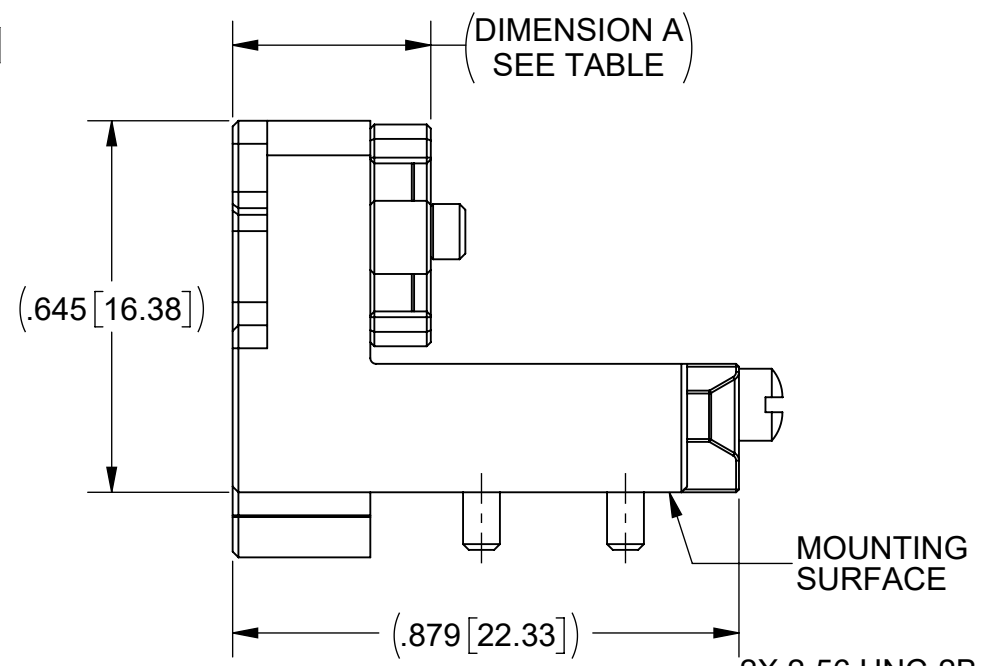
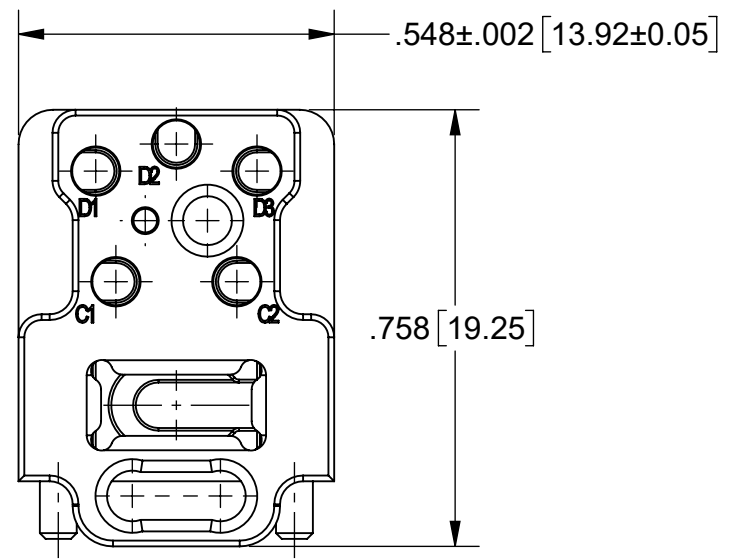


REVISION HISTORY			
REV	DESCRIPTION	DATE	APPROVED
B	DCN 59684	05/26	SEE PDM

PRODUCT DATA DRAWING



SV P/N	RF BACKPLATE	DIMENSION A
9351-80007	STANDARD	.344 [8.74]
9351-80007-1	EXTENDED	.500 [12.70]

NOTES:

1. COMPLIANT TO VITA 66.5, VITA 65 SECTION 6.4.5.7.3 AND ALIGNED TO THE SOSA TECHNICAL STANDARD.
2. DESIGNED TO USE WITH NanoRF PLUG-IN CONTACTS FOR Ø.047 CABLE, SV P/N: 8351-40001 (TE P/N 2302339-1).
3. LICENSED EQUIVALENT TO TE P/N 2359407-1 AND CAN BE USED AS A DROP-IN REPLACEMENT.
4. SHIPPED WITHOUT MT FERRULE KIT.
5. MATES TO SV P/N 9341-80011.
6. PCB LAYOUT ON SHEET 2.
7. 9351-80007-1 COMES WITH AN EXTENDED RF BACKPLATE THAT IS THICKER THAN THE STANDARD. THIS PROVIDES ADDITIONAL PROTECTION OF THE EXPOSED CABLE SOLDER JOINT.
8. DATE CODES 2623 AND LATER INCLUDE THREE SETS OF MOUNTING SCREWS, COVERING PCB THICKNESSES OF .063"-.102", .097"-.133", AND 160"-.196".

MATERIAL:
MODULE HOUSING, RF BACKPLATE, & MT BACKPLATE: ALUMINUM PER ASTM B211 ALLOY 6061-T6 OR AMS-QQ-A-200/8 ALLOY 6061-T6

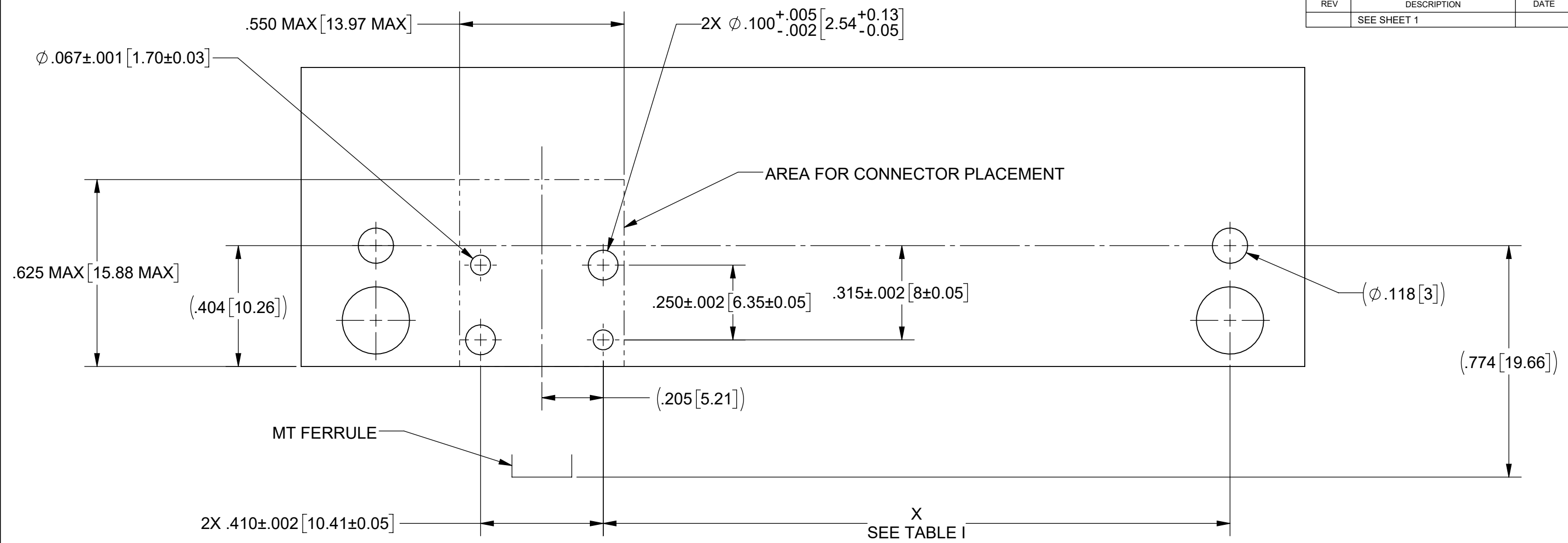
SCREWS: STAINLESS STEEL

FINISH:
MODULE HOUSING, RF BACKPLATE, & MT BACKPLATE: CHEMICAL CONVERSION COATING PER MIL-DTL-5541, CLASS 3 COLOR CLEAR, TYPE II


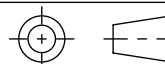
SCREWS: PASSIVATED

MATERIAL: SEE NOTES	DIMENSIONS ARE IN INCHES TOLERANCES: FRACTIONAL: ±1/64 ANGULAR: X° ±1°0' X'X' ±15'	UNLESS OTHERWISE SPECIFIED 1) ALL DIMENSIONS ARE IN INCHES (MILLIMETERS) 2) ALL DIMENSIONS ARE AFTER PLATING. 3) BREAK CORNERS & EDGES .005 R. MAX. 4) CHAM. 1ST & LAST THREADS. 5) SURFACE ROUGHNESS 63-MIL-STD-10. 6) DIA: S ON COMMON CENTERS TO BE CONCENTRIC WITHIN .005 T.I.R. 7) REMOVE ALL BURRS	 www.svmicrowave.com TITLE: NanoRF PLUG-IN MODULE, 5 POS RF FOR Ø.047 CABLE & 1 POS FIBER OPTIC SIZE DWG. NO. B 9351-80007 SCALE: 3:1 SHEET 1 OF 2
FINISH: SEE NOTES	DECIMAL: X ±.030 .XX ±.010 .XXX ±.005	INTERPRET DIMENSIONS AND TOLERANCES PER ASME Y14.5M - 1994	
SURFACE AREA: N/A	THIRD ANGLE PROJECTION	DRAWN: KRR 04/11/25	
PROPRIETARY		CHECKED: SEE PDM	
THE INFORMATION CONTAINED IN THIS DRAWING IS THE SOLE PROPERTY OF SV MICROWAVE, INC. ANY REPRODUCTION IN PART OR AS A WHOLE WITHOUT THE WRITTEN PERMISSION OF SV MICROWAVE, INC IS PROHIBITED.		APPROVED: SEE PDM	

REVISION HISTORY			
REV	DESCRIPTION	DATE	APPROVED
	SEE SHEET 1		SEE PDM



POSITION	DIMENSION "X"		
	VITA 67.3-C	VITA 67.3-D	VITA 67.3-E
P1B	-	1.546	1.546
P2A	2.107	2.107	2.107
P2B	2.669	2.669	2.669
P3A	3.654	3.795	-
P3B	4.221	4.351	-
P4A	4.987	4.929	-
P4B	5.554	5.485	-
P5A	6.121	6.063	-
P5B	6.688	6.619	-
P6A	7.269	7.197	-
P6B	7.836	7.752	-

MATERIAL: SEE NOTES	DIMENSIONS ARE IN INCHES TOLERANCES: FRACTIONAL: ±1/64 ANGULAR: X° ±1'0" X°X' ±15'	UNLESS OTHERWISE SPECIFIED 1) ALL DIMENSIONS ARE IN INCHES (MILLIMETERS) 2) ALL DIMENSIONS ARE AFTER PLATING. 3) BREAK CORNERS & EDGES .005 R. MAX. 4) CHAM. 1ST & LAST THREADS. 5) SURFACE ROUGHNESS 63-MIL-STD-10. 6) DIA.'S ON COMMON CENTERS TO BE CONCENTRIC WITHIN .005 T.I.R. 7) REMOVE ALL BURRS	 www.svmicrowave.com TITLE: NanoRF PLUG-IN MODULE, 5 POS RF FOR Ø.047 CABLE & 1 POS FIBER OPTIC
FINISH: SEE NOTES	DECIMAL: X ±.030 .XX ±.010 .XXX ±.005	INTERPRET DIMENSIONS AND TOLERANCES PER ASME Y14.5M - 1994	
SURFACE AREA: N/A	THIRD ANGLE PROJECTION 	DRAWN: SEE SHEET 1 CHECKED: SEE PDM APPROVED: SEE PDM	SIZE DWG. NO. B 9351-80007 SCALE: 3:1 SHEET 2 OF 2
PROPRIETARY THE INFORMATION CONTAINED IN THIS DRAWING IS THE SOLE PROPERTY OF SV MICROWAVE, INC. ANY REPRODUCTION IN PART OR AS A WHOLE WITHOUT THE WRITTEN PERMISSION OF SV MICROWAVE, INC IS PROHIBITED.			