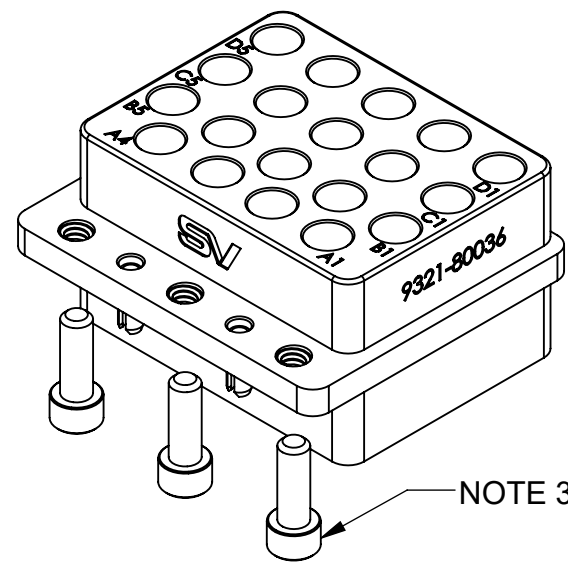


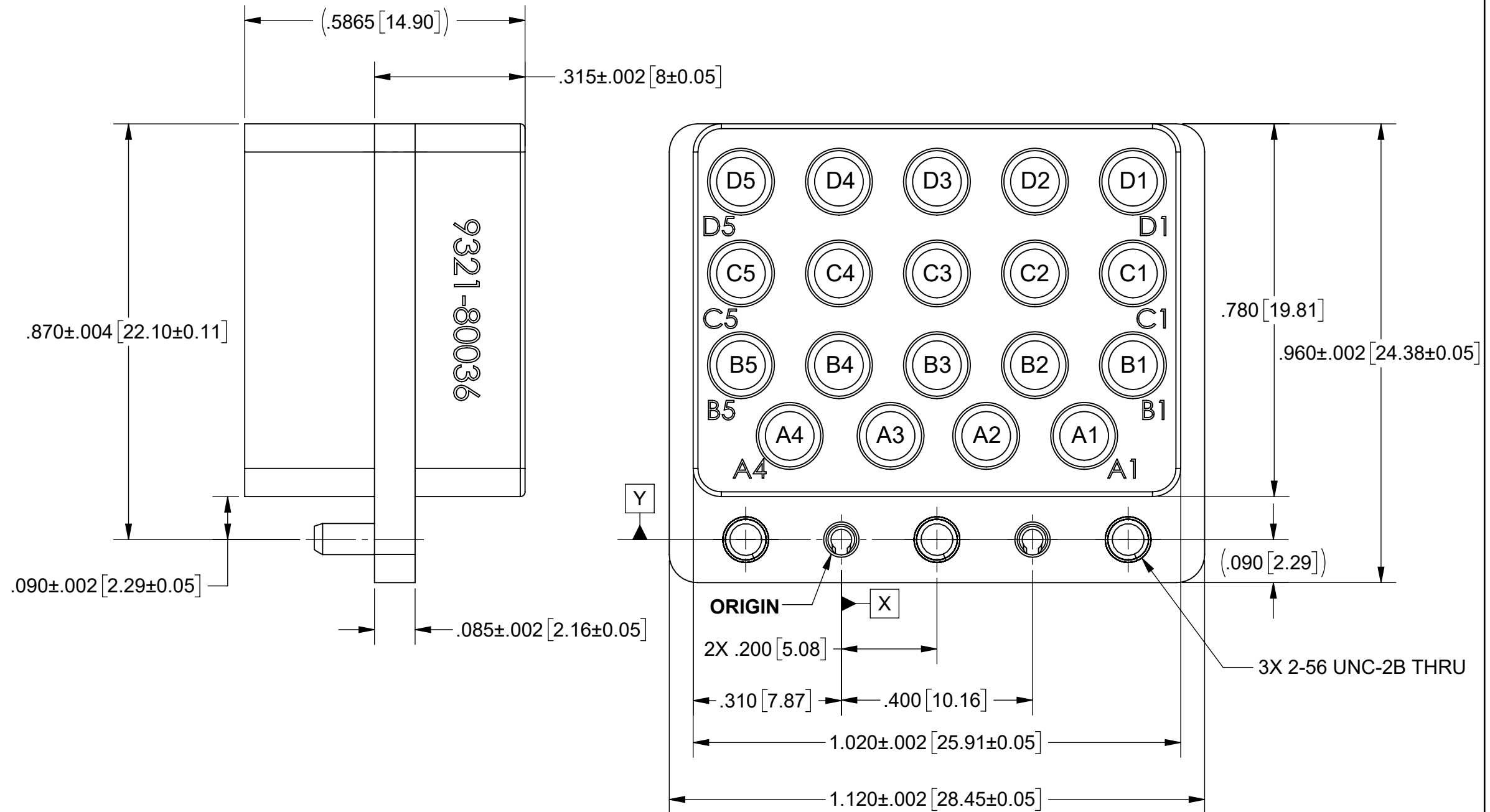
PRODUCT DATA DRAWING

| REVISION HISTORY | | | |
|------------------|-------------|-------|----------|
| REV | DESCRIPTION | DATE | APPROVED |
| C | DCN 59684 | 05/26 | SEE PDM |



NOTE 3

| HOLE CHART | | |
|------------|--------|-------|
| HOLE No. | X | Y |
| ORIGIN | 0.000 | 0.000 |
| A1 | 0.508 | 0.217 |
| A2 | 0.303 | 0.217 |
| A3 | 0.103 | 0.217 |
| A4 | -0.108 | 0.217 |
| B1 | 0.610 | 0.365 |
| B2 | 0.405 | 0.365 |
| B3 | 0.200 | 0.365 |
| B4 | -0.005 | 0.365 |
| B5 | -0.210 | 0.365 |
| C1 | 0.610 | 0.557 |
| C2 | 0.405 | 0.557 |
| C3 | 0.200 | 0.557 |
| C4 | -0.005 | 0.557 |
| C5 | -0.210 | 0.557 |
| D1 | 0.610 | 0.749 |
| D2 | 0.405 | 0.749 |
| D3 | 0.200 | 0.749 |
| D4 | -0.005 | 0.749 |
| D5 | -0.210 | 0.749 |



MATERIAL:

BODY: ALUMINUM ALLOY 7075

SPRING PINS: 420 STAINLESS STEEL

THREADED INSERTS AND SCREWS: 18-8 STAINLESS STEEL

FINISH:

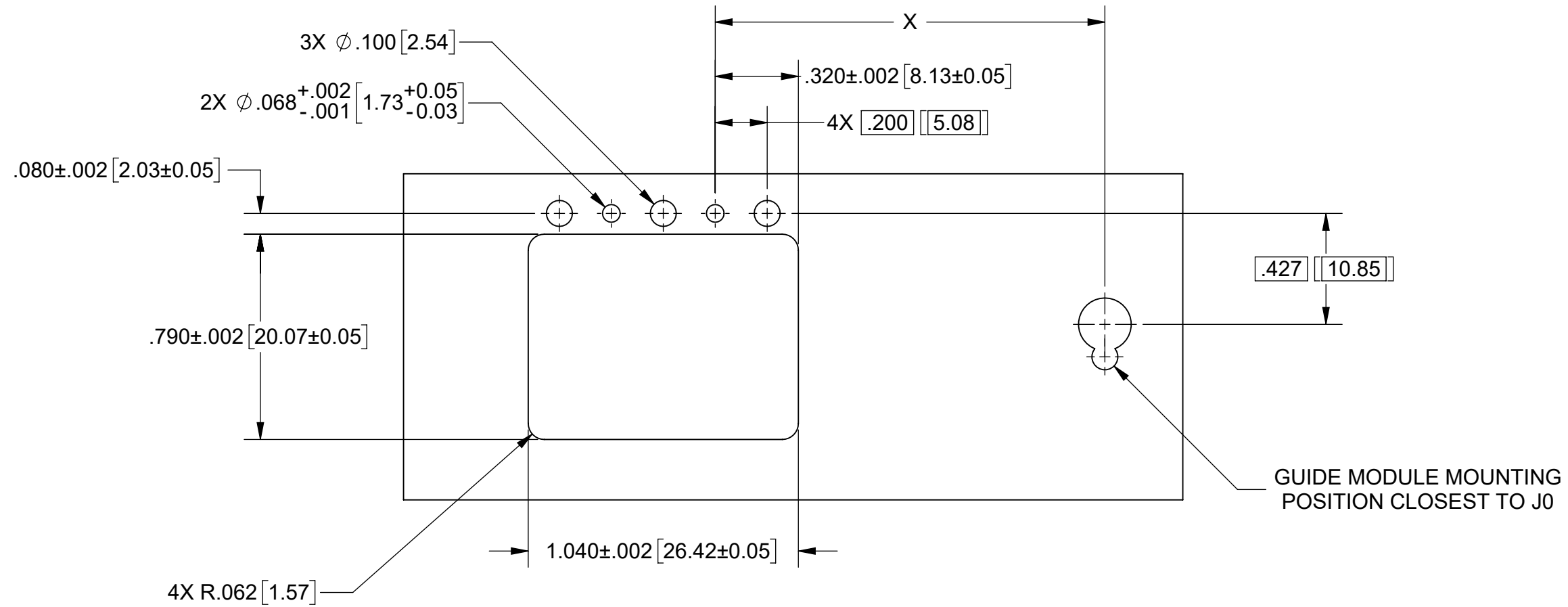
SCREWS: PASSIVATED

- NOTES:**
- USES CONTACT 3821-40024 OR SIMILAR.
 - DESIGNED FOR USE WITH SF9311-60171 OR 9311-80025.
 - DATE CODES 2623 AND LATER INCLUDE THREE SETS OF MOUNTING SCREWS, COVERING PCB THICKNESSES OF .063"-.102", .097"-.133", AND 160"-.196".

| | | | |
|--|--|--|---|
| MATERIAL: SEE NOTES | DIMENSIONS ARE IN INCHES TOLERANCES: FRACTIONAL: ±1/64 ANGULAR: X° ±1'0" X'X' ±15' | UNLESS OTHERWISE SPECIFIED 1) ALL DIMENSIONS ARE IN INCHES (MILLIMETERS) 2) ALL DIMENSIONS ARE AFTER PLATING. 3) BREAK CORNERS & EDGES .005 R. MAX. 4) CHAM. 1ST & LAST THREADS. 5) SURFACE ROUGHNESS 63-MIL-STD-10. 6) DIA: 'S ON COMMON CENTERS TO BE CONCENTRIC WITHIN .005 T.I.R. 7) REMOVE ALL BURRS | www.svmicrowave.com TITLE: VITA 67.3 BACKPLANE MODULE C, 19 PORT, SMPS SIZE DWG. NO. B 9321-80036 SCALE: 4:1 SHEET 1 OF 2 |
| FINISH: SEE NOTES | DECIMAL: X ±.030 .XX ±.010 .XXX ±.005 | INTERPRET DIMENSIONS AND TOLERANCES PER ASME Y14.5M - 1994 | |
| SURFACE AREA: N/A | THIRD ANGLE PROJECTION | DRAWN: JPM 09/02/21 | |
| PROPRIETARY THE INFORMATION CONTAINED IN THIS DRAWING IS THE SOLE PROPERTY OF SV MICROWAVE, INC. ANY REPRODUCTION IN PART OR AS A WHOLE WITHOUT THE WRITTEN PERMISSION OF SV MICROWAVE, INC IS PROHIBITED. | | CHECKED: SEE PDM | |
| | | APPROVED: SEE PDM | |


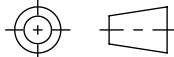
PRODUCT DATA DRAWING

| REVISION HISTORY | | | |
|------------------|-------------|-------|----------|
| REV | DESCRIPTION | DATE | APPROVED |
| C | DCN 59684 | 05/26 | SEE PDM |



RECOMMENDED PCB CUTOUT

| CONNECTOR LOCATION ON BACKPLANE PCB | |
|-------------------------------------|-----------------|
| POSITION | DIM 'X' |
| J2 | 2.385" [60.58] |
| J3 | 3.942" [100.13] |
| J4 | 5.276" [134.00] |
| J5 | 6.409" [162.80] |
| J6 | 7.557" [191.95] |

| | | | |
|---|---|--|--|
| MATERIAL: SEE NOTES | DIMENSIONS ARE IN INCHES TOLERANCES: FRACTIONAL: $\pm 1/64$ ANGULAR: X° $\pm 1'0''$ X°X' $\pm 15''$ | UNLESS OTHERWISE SPECIFIED 1) ALL DIMENSIONS ARE IN INCHES (MILLIMETERS) 2) ALL DIMENSIONS ARE AFTER PLATING. 3) BREAK CORNERS & EDGES .005 R. MAX. 4) CHAM. 1ST & LAST THREADS. 5) SURFACE ROUGHNESS 63-MIL-STD-10. 6) DIA: 'S ON COMMON CENTERS TO BE CONCENTRIC WITHIN .004 T.I.R. 7) REMOVE ALL BURRS |  www.svmicrowave.com TITLE: VITA 67.3 BACKPLANE MODULE C, 19 PORT, SMPS |
| FINISH: SEE NOTES | DECIMAL: X $\pm .030$.XX $\pm .010$.XXX $\pm .005$ | | |
| SURFACE AREA: N/A | INTERPRET DIMENSIONS AND TOLERANCES PER ASME Y14.5M - 1994 | DRAWN: JPM 09/02/21 | SIZE DWG. NO. B 9321-80036 |
| PROPRIETARY THE INFORMATION CONTAINED IN THIS DRAWING IS THE SOLE PROPERTY OF SV MICROWAVE, INC. ANY REPRODUCTION IN PART OR AS A WHOLE WITHOUT THE WRITTEN PERMISSION OF SV MICROWAVE, INC IS PROHIBITED. | THIRD ANGLE PROJECTION  | CHECKED: SEE PDM | SCALE: 4:1 |
| | | APPROVED: SEE PDM | SHEET 2 OF 2 |