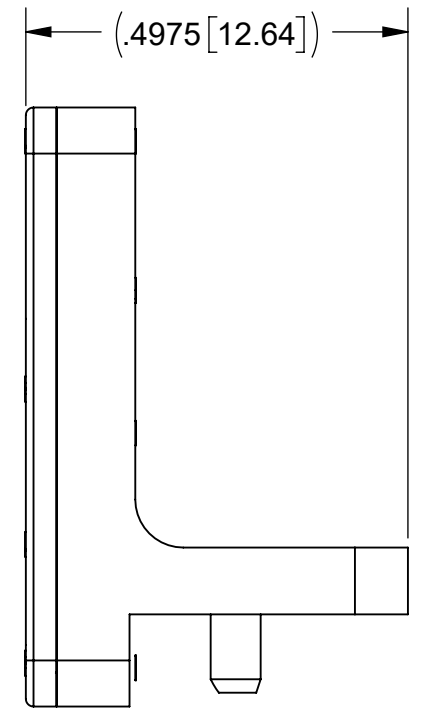
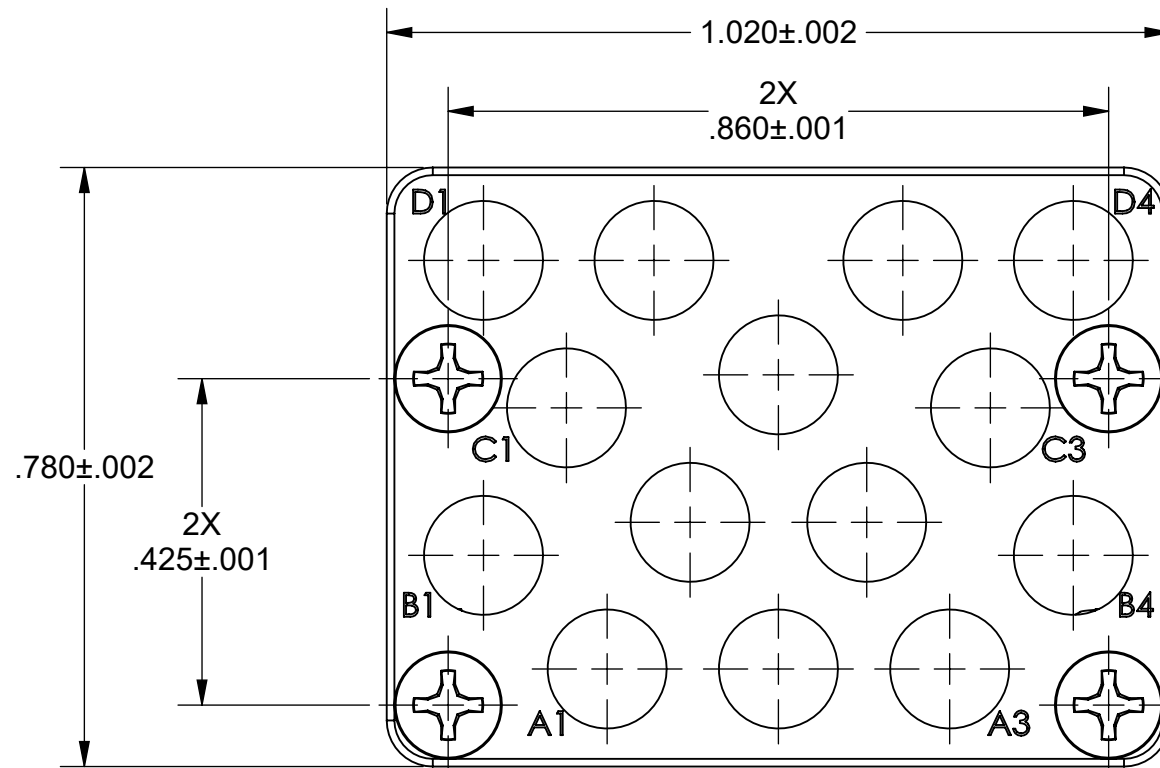
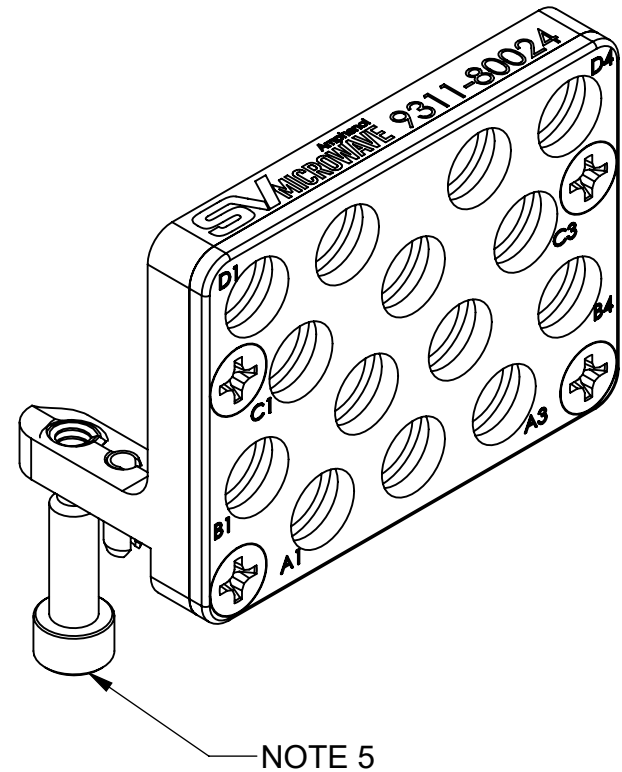


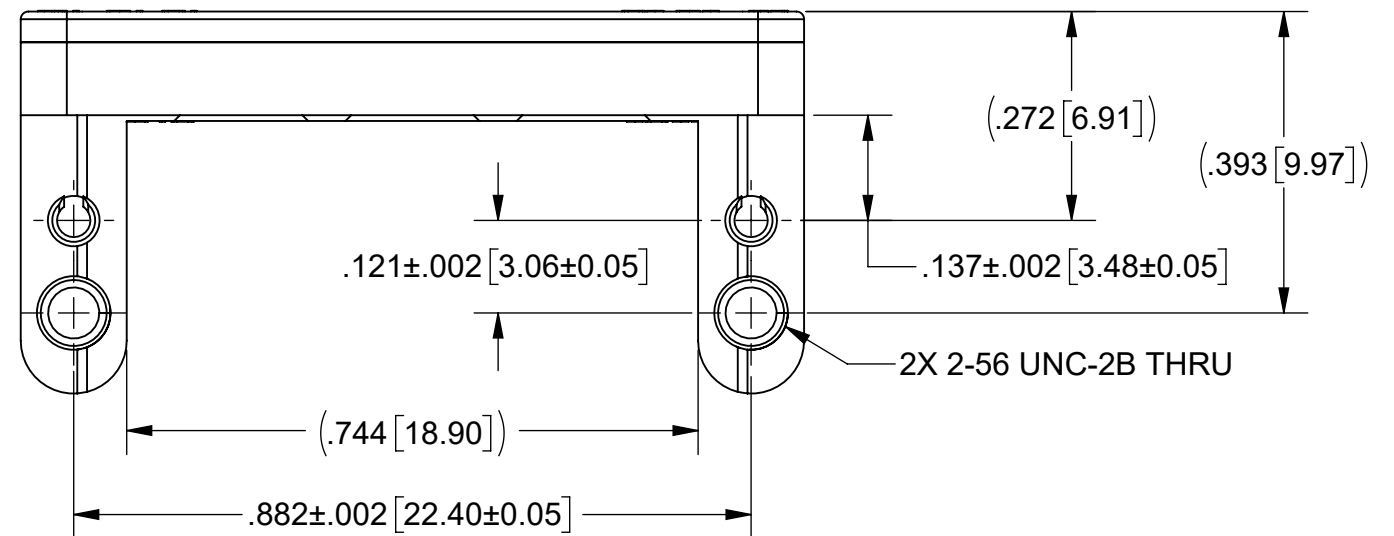
# PRODUCT DATA DRAWING

REVISION HISTORY			
REV	DESCRIPTION	DATE	APPROVED
C	DCN 59684	05/26	SEE PDM



- MATERIAL:**
- BODIES:** ALUMINUM ALLOY 7075
- SPRING PIN:** 420 STAINLESS STEEL
- SCREWS & THREADED INSERTS:** 18-8 STAINLESS STEEL
- FINISH:**
- SCREWS:** PASSIVATED

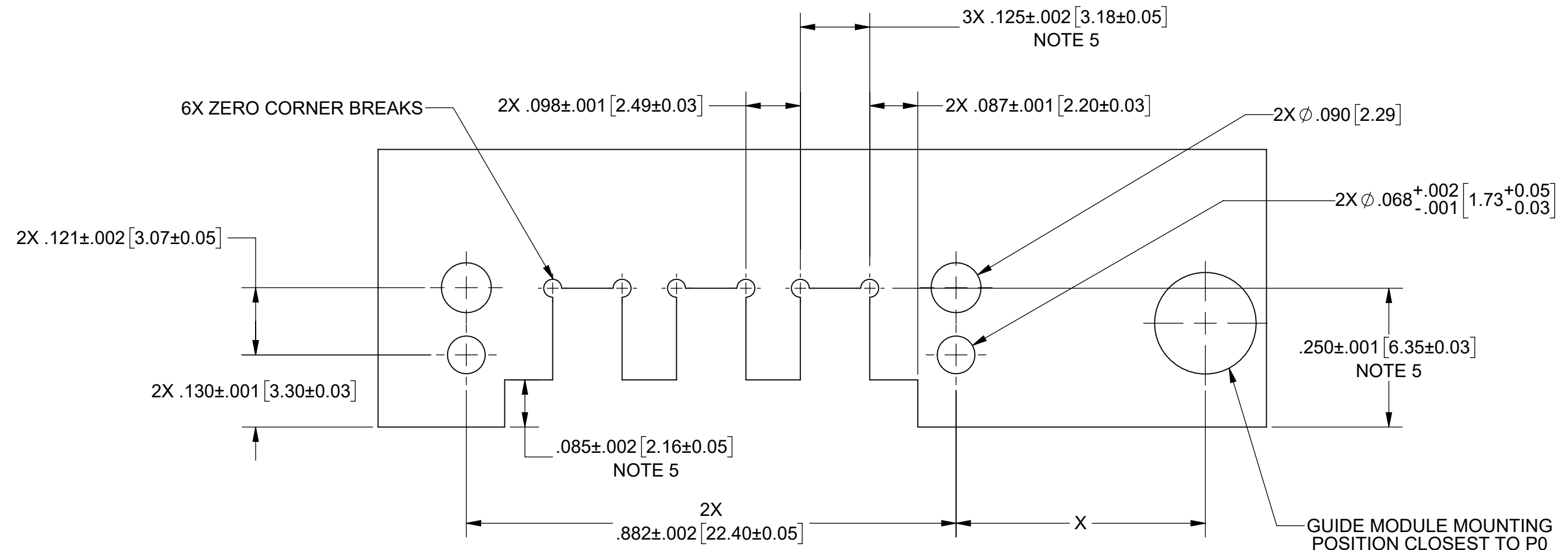
- NOTES:**
- MATES TO BACKPLANE MODULE: SF9321-60086 OR 9321-80035.
  - POPULATE WITH ADAPTER CONTACT (1132-6116) OR CABLE CONTACTS (Ø.086 3211-60350 & Ø.047 3211-60351).
  - REMOVAL TOOL FOR Ø.086 AND Ø.047 CABLE CONTACTS: 500-32-044.
  - ADAPTER CONTACT REMOVAL ONLY REQUIRES REMOVAL OF FRONT PLATE PHILIPS HEAD SCREWS.
  - DATE CODES 2623 AND LATER INCLUDE THREE SETS OF MOUNTING SCREWS, COVERING PCB THICKNESSES OF .063"-.102", .097"-.133", AND 160"-.196".



MATERIAL: SEE NOTES	DIMENSIONS ARE IN INCHES TOLERANCES: FRACTIONAL: ±1/64 ANGULAR: X° ±1'0" X'X' ±15'	UNLESS OTHERWISE SPECIFIED 1) ALL DIMENSIONS ARE IN INCHES (MILLIMETERS) 2) ALL DIMENSIONS ARE AFTER PLATING. 3) BREAK CORNERS & EDGES .005 R. MAX. 4) CHAM. 1ST & LAST THREADS. 5) SURFACE ROUGHNESS 63-MIL-STD-10. 6) DIA: 'S ON COMMON CENTERS TO BE CONCENTRIC WITHIN .005 T.I.R. 7) REMOVE ALL BURRS	
FINISH: SEE NOTES	DECIMAL: X ±.030 .XX ±.010 .XXX ±.005	INTERPRET DIMENSIONS AND TOLERANCES PER ASME Y14.5M - 1994	
SURFACE AREA: N/A	THIRD ANGLE PROJECTION	DRAWN: JPM 09/02/21	TITLE: VITA 67.3 PLUG-IN MODULE C, 14 PORT, SMPM
<p><b>PROPRIETARY</b></p> <p>THE INFORMATION CONTAINED IN THIS DRAWING IS THE SOLE PROPERTY OF SV MICROWAVE, INC. ANY REPRODUCTION IN PART OR AS A WHOLE WITHOUT THE WRITTEN PERMISSION OF SV MICROWAVE, INC IS PROHIBITED.</p>		CHECKED: SEE PDM	SIZE DWG. NO. B 9311-80024
		APPROVED: SEE PDM	SCALE: 4:1 SHEET 1 OF 2

REVISION HISTORY			
REV	DESCRIPTION	DATE	APPROVED
	SEE SHEET I		SEE PDM


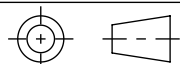
# PRODUCT DATA DRAWING



## RECOMMENDED PCB CUTOUT

CONNECTOR LOCATION ON DAUGHTER CARD PCB	
POSITION	DIM 'X'
P2	2.144" [54.46]
P3	3.701" [94.01]
P4	5.035" [127.89]
P5	6.168" [156.67]
P6	7.316" [185.83]

NOTES:  
6. DIMENSIONS WHEN USING 3211-60035 EDGE LAUNCH CONNECTOR.

MATERIAL: SEE NOTES	DIMENSIONS ARE IN INCHES TOLERANCES: FRACTIONAL: ±1/64 ANGULAR: X° ±1'0" X'X' ±15'	UNLESS OTHERWISE SPECIFIED 1) ALL DIMENSIONS ARE IN INCHES (MILLIMETERS) 2) ALL DIMENSIONS ARE AFTER PLATING. 3) BREAK CORNERS & EDGES .005 R. MAX. 4) CHAM. 1ST & LAST THREADS. 5) SURFACE ROUGHNESS 63-MIL-STD-10. 6) DIA: 'S ON COMMON CENTERS TO BE CONCENTRIC WITHIN .004 T.I.R. 7) REMOVE ALL BURRS	 www.svmicrowave.com
FINISH: SEE NOTES	DECIMAL: X ±.030 .XX ±.010 .XXX ±.005	INTERPRET DIMENSIONS AND TOLERANCES PER ASME Y14.5M - 1994	
SURFACE AREA: N/A	THIRD ANGLE PROJECTION	DRAWN: JPM 09/02/21	TITLE: VITA 67.3 PLUG-IN MODULE C, 14 PORT, SMPM, ALUMINUM
<b>PROPRIETARY</b> THE INFORMATION CONTAINED IN THIS DRAWING IS THE SOLE PROPERTY OF SV MICROWAVE, INC. ANY REPRODUCTION IN PART OR AS A WHOLE WITHOUT THE WRITTEN PERMISSION OF SV MICROWAVE, INC IS PROHIBITED.		CHECKED: SEE PDM	SIZE DWG. NO. B 9311-80024
		APPROVED: SEE PDM	SCALE: 5:1 SHEET 2 OF 2