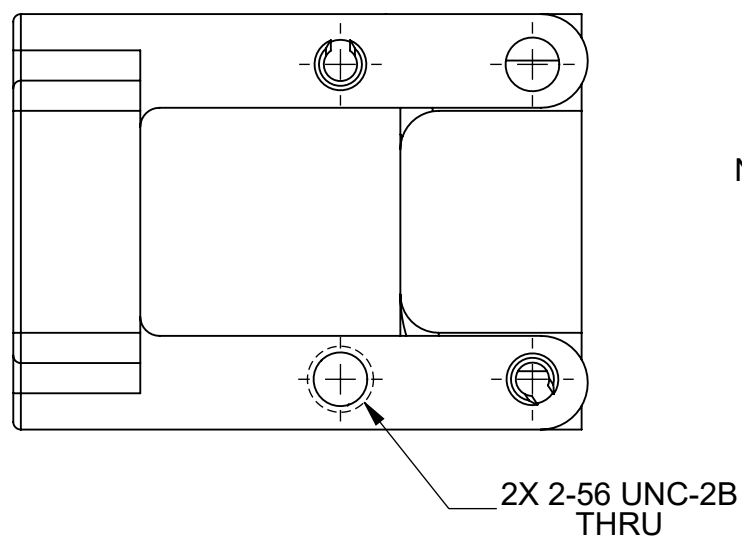
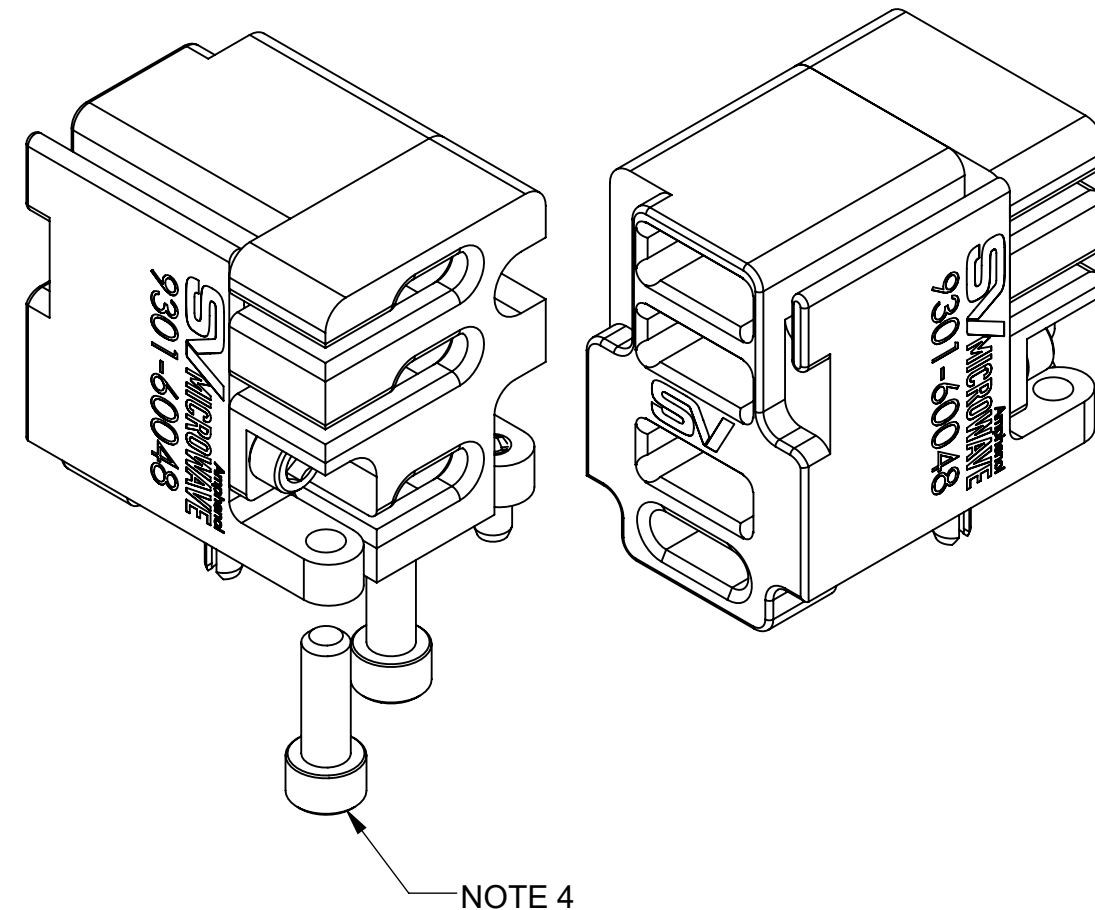
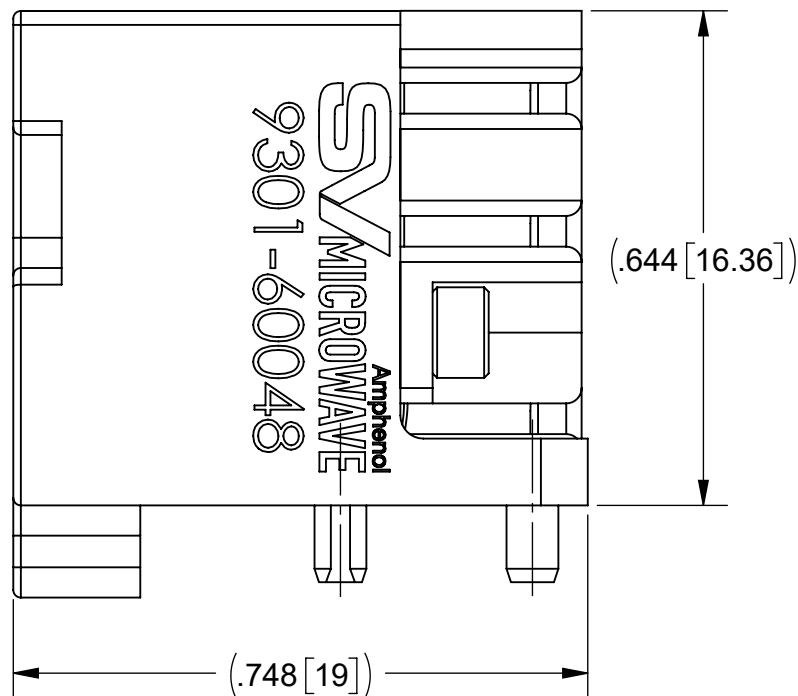
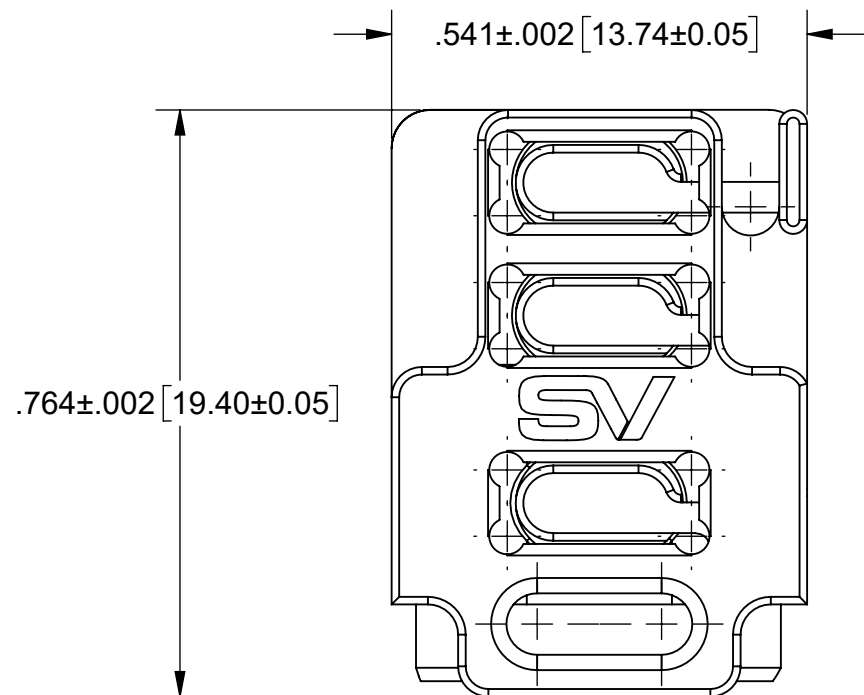


PRODUCT DATA DRAWING

REVISION HISTORY			
REV	DESCRIPTION	DATE	APPROVED
F	DCN 59684	05/26	SEE PDM



- NOTES:**
- DESIGNED TO CARRY THREE (3) 12 OR 24 FIBER MT FERRULES.
 - COMPLIANT TO VITA 66.5 & VITA 65.1 SECTION 6.4.5.7.6 AND ALIGNED TO THE SOSA TECHNICAL STANDARD.
 - SHIPPED WITHOUT THE MT FERRULE KIT.
 - DATE CODES 2623 AND LATER INCLUDE THREE SETS OF MOUNTING SCREWS, COVERING PCB THICKNESSES OF .063"-.102", .097"-.133", AND .160"-.196".

MATERIAL:

BODY & RETAINING CAP: STAINLESS STEEL PER AMS 5640, ALLOY UNS S30300, TYPE 1 OR ASTM A582 TYPE 303, CONDITION A.

SPRING PINS: 420 SERIES STAINLESS STEEL

SCREWS: 18-8 STAINLESS STEEL

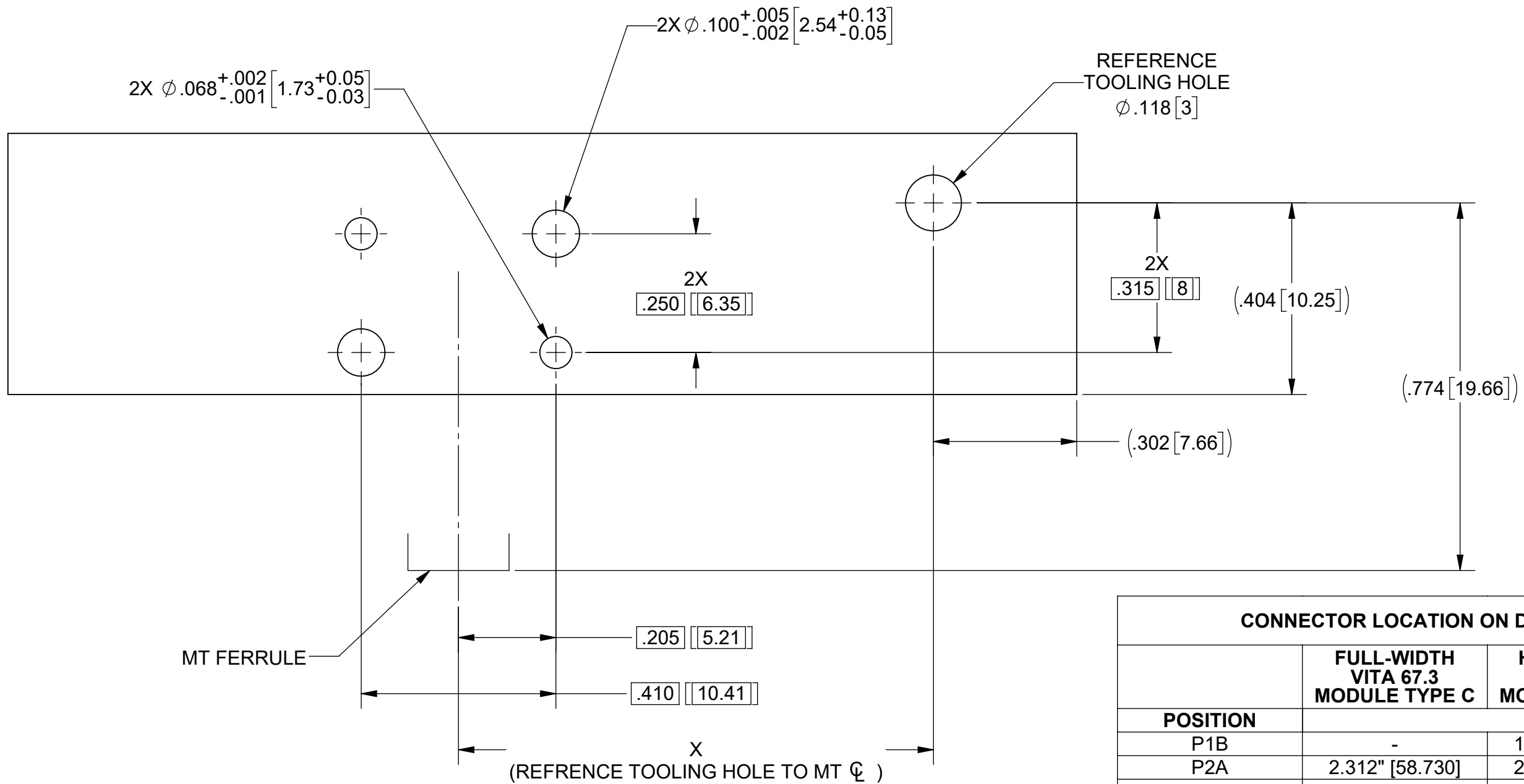
FINISH:

BODY & RETAINING CAP: PASSIVATED PER AMS 2700

SCREWS: PASSIVATED


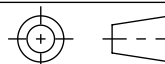
MATERIAL: SEE NOTES	DIMENSIONS ARE IN INCHES TOLERANCES: FRACTIONAL: ±1/64 ANGULAR: X° ±1'0" X'X' ±15'	UNLESS OTHERWISE SPECIFIED 1) ALL DIMENSIONS ARE IN INCHES (MILLIMETERS) 2) ALL DIMENSIONS ARE AFTER PLATING. 3) BREAK CORNERS & EDGES .005 R. MAX. 4) CHAM. 1ST & LAST THREADS. 5) SURFACE ROUGHNESS 63-MIL-STD-10. 6) DIA.'S ON COMMON CENTERS TO BE CONCENTRIC WITHIN .005 T.I.R. 7) REMOVE ALL BURRS	 TITLE: 3 PORT FIBER MT PLUG-IN MODULE VITA 66.5
FINISH: SEE NOTES	DECIMAL: X ±.030 .XX ±.010 .XXX ±.005	INTERPRET DIMENSIONS AND TOLERANCES PER ASME Y14.5M - 1994	
SURFACE AREA: N/A	THIRD ANGLE PROJECTION	DRAWN: JPM 08/17/22	SIZE DWG. NO. B 9301-60048
<p>PROPRIETARY</p> <p>THE INFORMATION CONTAINED IN THIS DRAWING IS THE SOLE PROPERTY OF SV MICROWAVE, INC. ANY REPRODUCTION IN PART OR AS A WHOLE WITHOUT THE WRITTEN PERMISSION OF SV MICROWAVE, INC IS PROHIBITED.</p>		CHECKED: SEE PDM APPROVED: SEE PDM	SCALE: 4:1 SHEET 1 OF 2

REVISION HISTORY			
REV	DESCRIPTION	DATE	APPROVED
F	DCN 59684	05/26	SEE PDM



RECOMMENDED PCB CUTOUT FOR PLUG-IN MODULE

CONNECTOR LOCATION ON DAUGHTER CARD PCB			
	FULL-WIDTH VITA 67.3 MODULE TYPE C	HALF-WIDTH VITA 67.3 MODULE TYPE D	1 1/2-WIDTH VITA 67.3 MODULE TYPE E
POSITION	DIM 'X'		
P1B	-	1.751" [44.470]	1.751" [44.470]
P2A	2.312" [58.730]	2.312" [58.730]	2.312" [58.730]
P2B	2.874" [72.990]	2.874" [72.990]	2.874" [72.990]
P3A	3.859" [98.010]	4.000" [101.600]	-
P3B	4.426" [112.410]	4.556" [115.720]	-
P4A	5.192" [131.880]	5.134" [130.400]	-
P4B	5.759" [146.280]	5.690" [144.520]	-
P5A	6.326" [160.680]	6.268" [159.200]	-
P5B	6.893" [175.080]	6.824" [173.320]	-
P6A	7.474" [189.830]	7.402" [188.000]	-
P6B	8.041" [204.230]	7.957" [202.120]	-

MATERIAL: SEE NOTES	DIMENSIONS ARE IN INCHES TOLERANCES: FRACTIONAL: ±1/64 ANGULAR: X° ±1'0" X'X' ±15'	UNLESS OTHERWISE SPECIFIED 1) ALL DIMENSIONS ARE IN INCHES (MILLIMETERS) 2) ALL DIMENSIONS ARE AFTER PLATING. 3) BREAK CORNERS & EDGES .005 R. MAX. 4) CHAM. 1ST & LAST THREADS. 5) SURFACE ROUGHNESS 63-MIL-STD-10. 6) DIA: 'S ON COMMON CENTERS TO BE CONCENTRIC WITHIN .005 T.I.R. 7) REMOVE ALL BURRS	 <p>Amphenol SV MICROWAVE www.svmicrowave.com</p>
FINISH: SEE NOTES	DECIMAL: X ±.030 .XX ±.010 .XXX ±.005	INTERPRET DIMENSIONS AND TOLERANCES PER ASME Y14.5M - 1994	
SURFACE AREA: N/A	THIRD ANGLE PROJECTION	DRAWN: JPM 08/17/22	TITLE: 3 PORT FIBER MT PLUG-IN MODULE VITA 66.5
<p>PROPRIETARY</p> <p>THE INFORMATION CONTAINED IN THIS DRAWING IS THE SOLE PROPERTY OF SV MICROWAVE, INC. ANY REPRODUCTION IN PART OR AS A WHOLE WITHOUT THE WRITTEN PERMISSION OF SV MICROWAVE, INC IS PROHIBITED.</p>		CHECKED: SEE PDM	SIZE DWG. NO. B 9301-60048
		APPROVED: SEE PDM	SCALE: 4:1 SHEET 2 OF 2