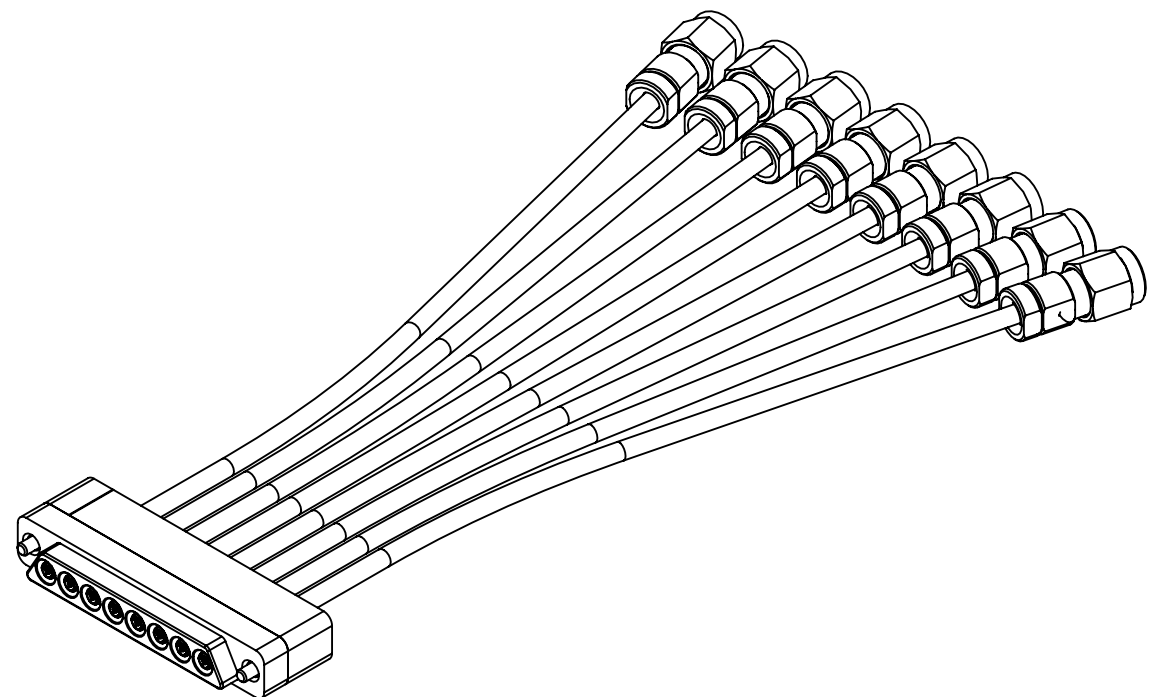
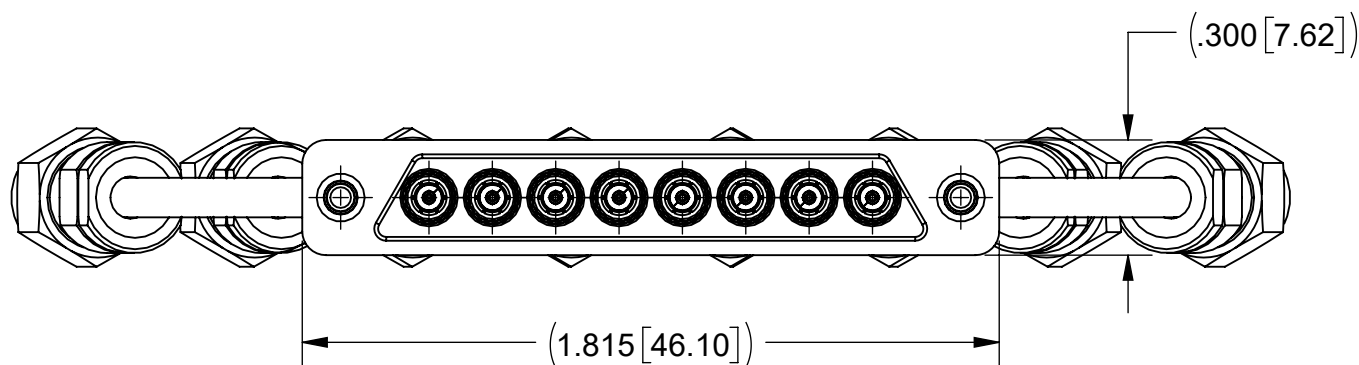
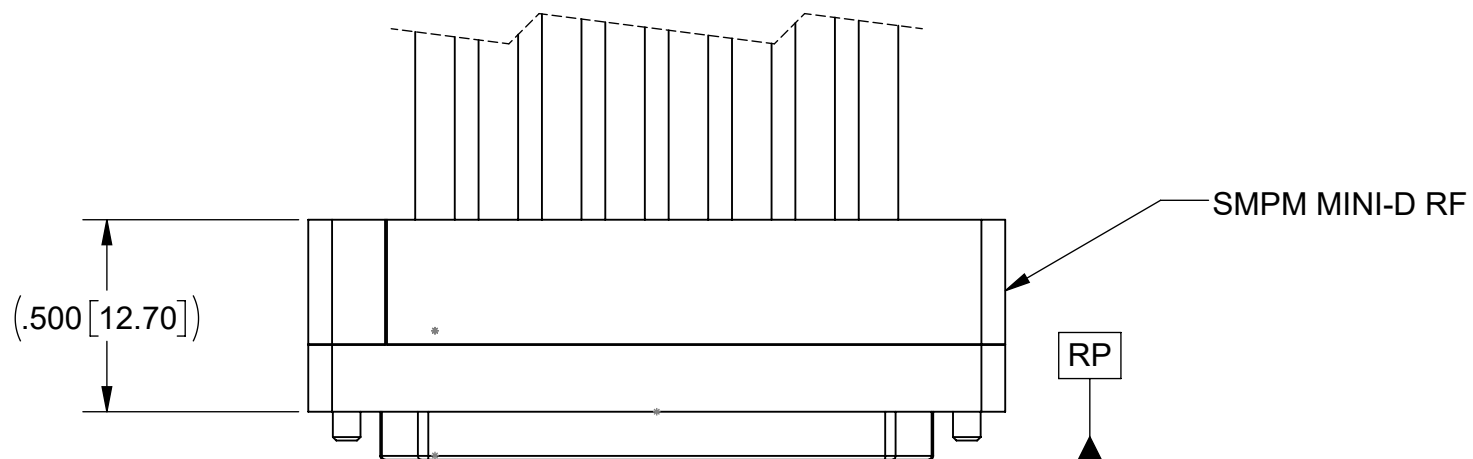
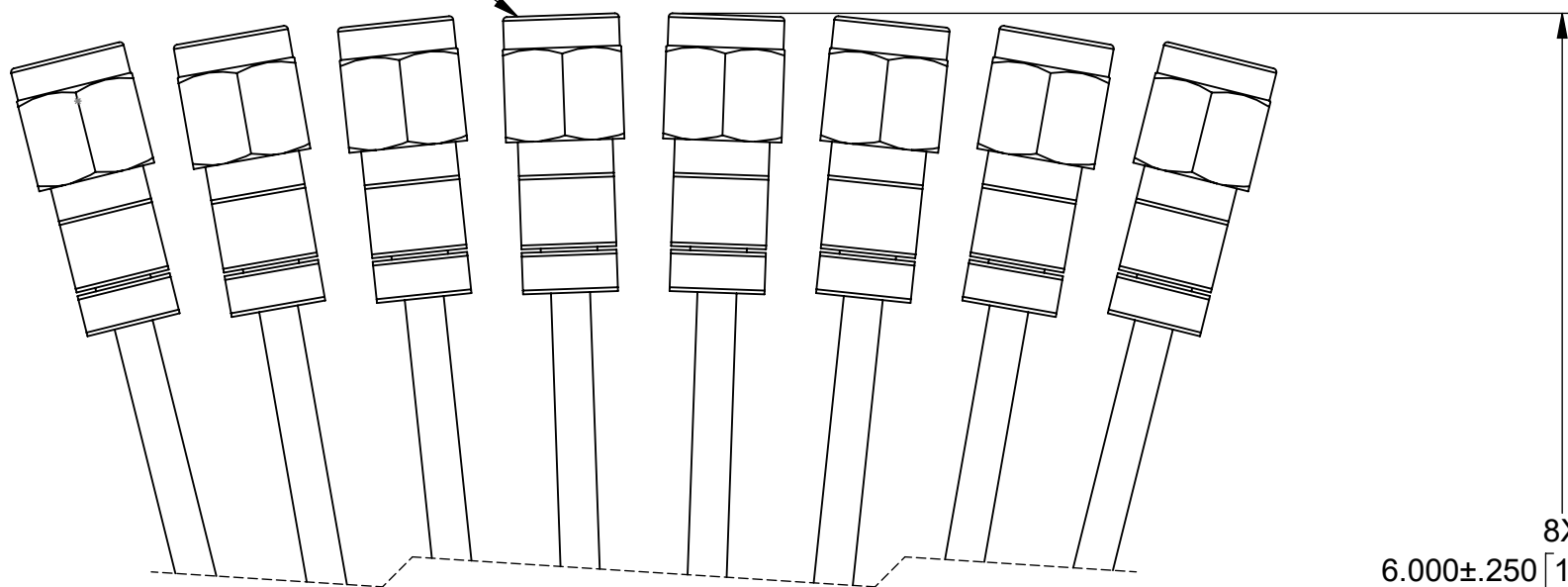


REVISION HISTORY			
REV	DESCRIPTION	DATE	APPROVED
-	NRN49504	10/25	SEE PDM

PRODUCT DATA DRAWING



8X
SF1511-60071



MATERIAL:

CONNECTORS: MINI-D RF
8X 2.92mm MALE

CABLE: STANDARD .047 FLEXTRA CABLE

PERFORMANCE:

IMPEDANCE: 50 OHMS
FREQ. RANGE: DC TO 40.0 GHz.

MATERIAL:	PER BOM
FINISH:	PER BOM
PROPRIETARY	
THE INFORMATION CONTAINED IN THIS DRAWING IS THE SOLE PROPERTY OF SV MICROWAVE, INC. ANY REPRODUCTION IN PART OR AS A WHOLE WITHOUT THE WRITTEN PERMISSION OF SV MICROWAVE, INC IS PROHIBITED.	

DIMENSIONS ARE IN INCHES TOLERANCES:	
FRACTIONAL: ±1/64	ANGULAR: X° ±1°0'
DECIMAL: X ±.030	X°X' ±15'
.XX ±.010	
.XXX ±.005	
INTERPRET DIMENSIONS AND TOLERANCES PER ASME Y14.5M - 1994	
THIRD ANGLE PROJECTION	

UNLESS OTHERWISE SPECIFIED	
1) ALL DIMENSIONS ARE AFTER PLATING.	
2) BREAK CORNERS & EDGES .005 R. MAX.	
3) CHAM. 1ST & LAST THREADS.	
4) SURFACE ROUGHNESS 63 / MIL-STD-10.	
5) DIA.'S ON COMMON CENTERS TO BE CONCENTRIC WITHIN .005 T.I.R.	
6) REMOVE ALL BURRS	
DRAWN:	JPM 10/17/25
CHECKED:	SEE PDM
APPROVED:	SEE PDM
E.M. SIMULATION:	N/A



TITLE:		SMPM MDRF CABLE HARNESS
SIZE	DWG. NO.	7093-5127
B		
SCALE: 2:1		SHEET 1 OF 1