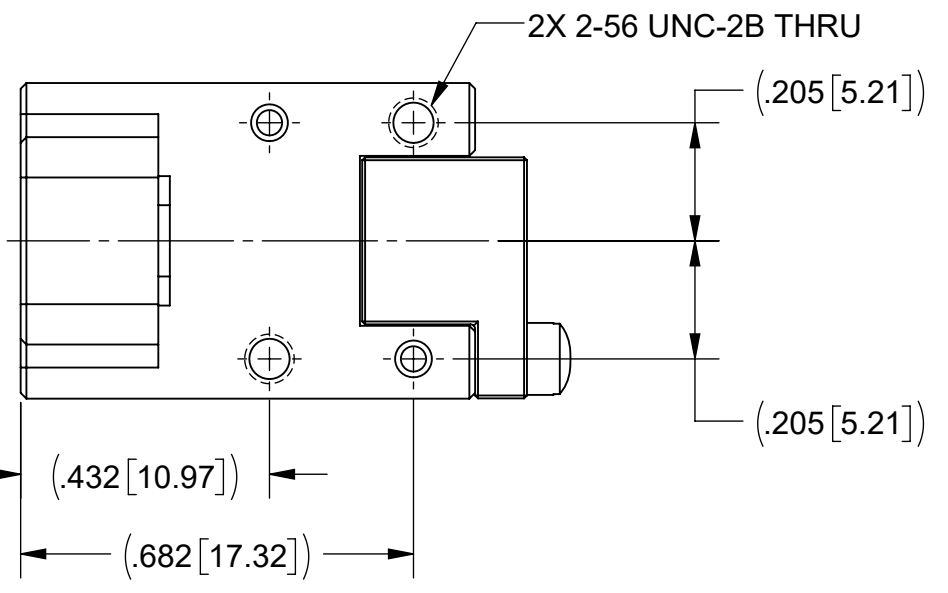
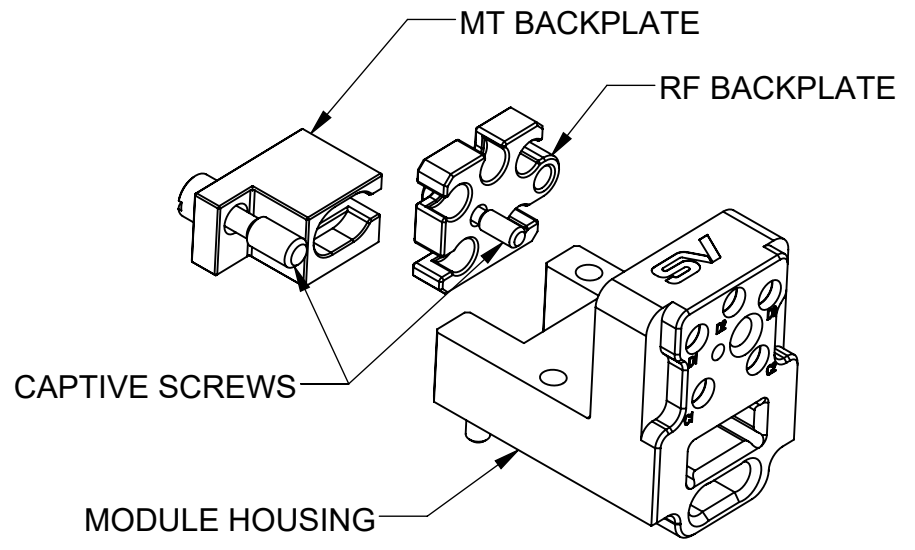
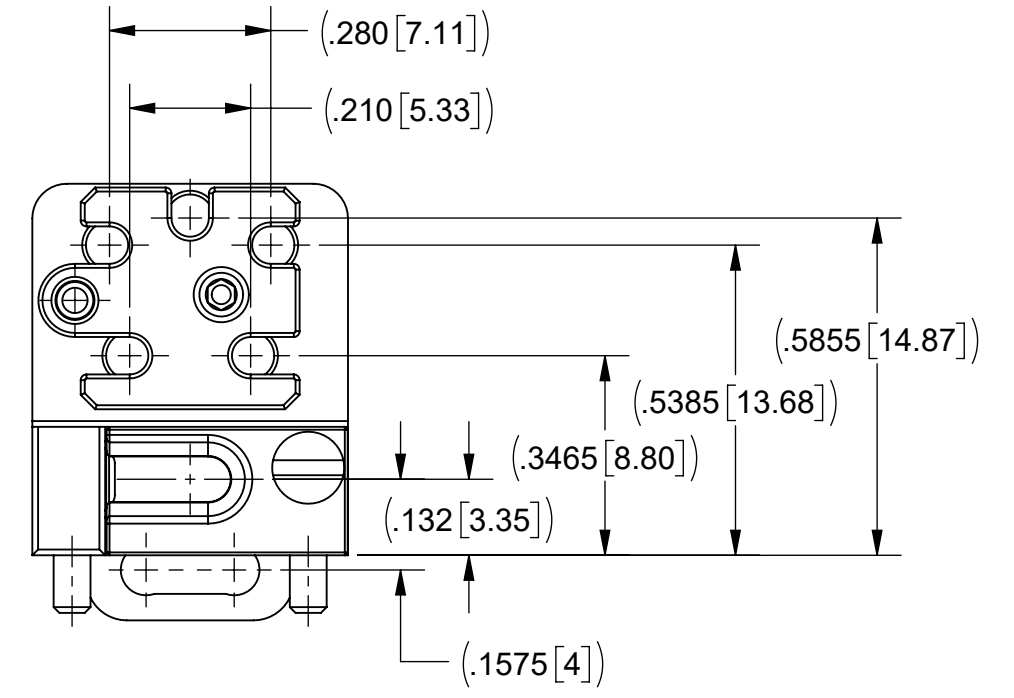
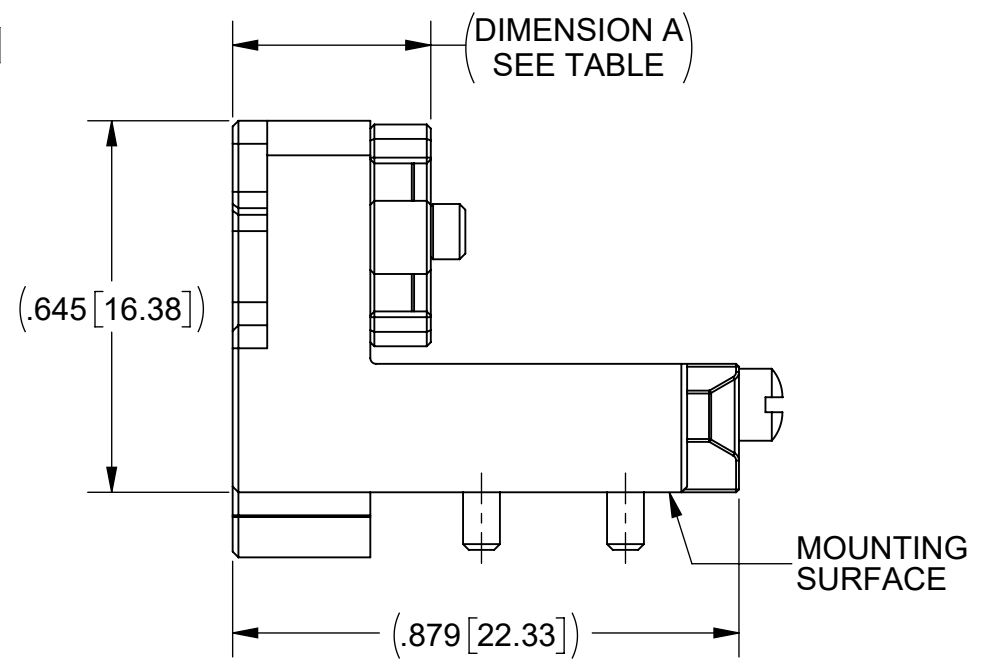
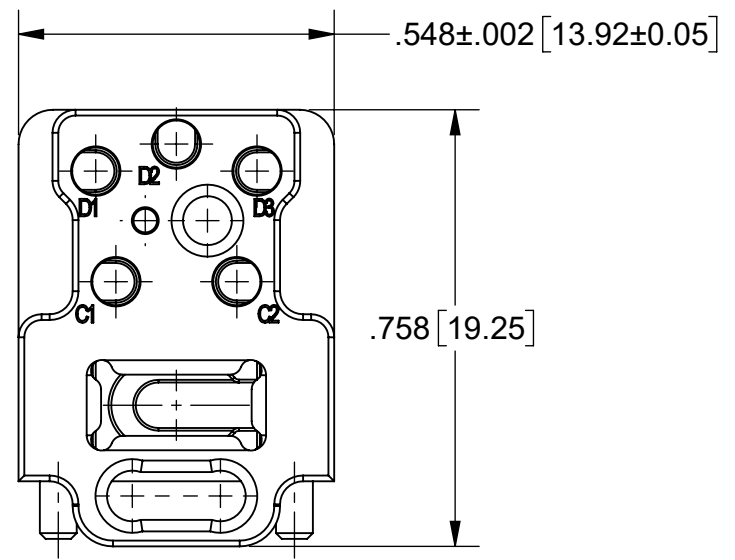


REVISION HISTORY			
REV	DESCRIPTION	DATE	APPROVED
-	NRN 49088	04/25	SEE PDM

# PRODUCT DATA DRAWING



SV P/N	RF BACKPLATE	DIMENSION A
9351-80007	STANDARD	.344 [8.74]
9351-80007-1	EXTENDED	.500 [12.70]

**MATERIAL:**

MODULE HOUSING, RF BACKPLATE, & MT BACKPLATE: ALUMINUM PER ASTM B211 ALLOY 6061-T6 OR AMS-QQ-A-200/8 ALLOY 6061-T6

CAPTIVE SCREWS: STAINLESS STEEL

**FINISH:**

MODULE HOUSING, RF BACKPLATE, & MT BACKPLATE: CHEMICAL CONVERSION COATING PER MIL-DTL-5541, CLASS 3 COLOR CLEAR, TYPE II

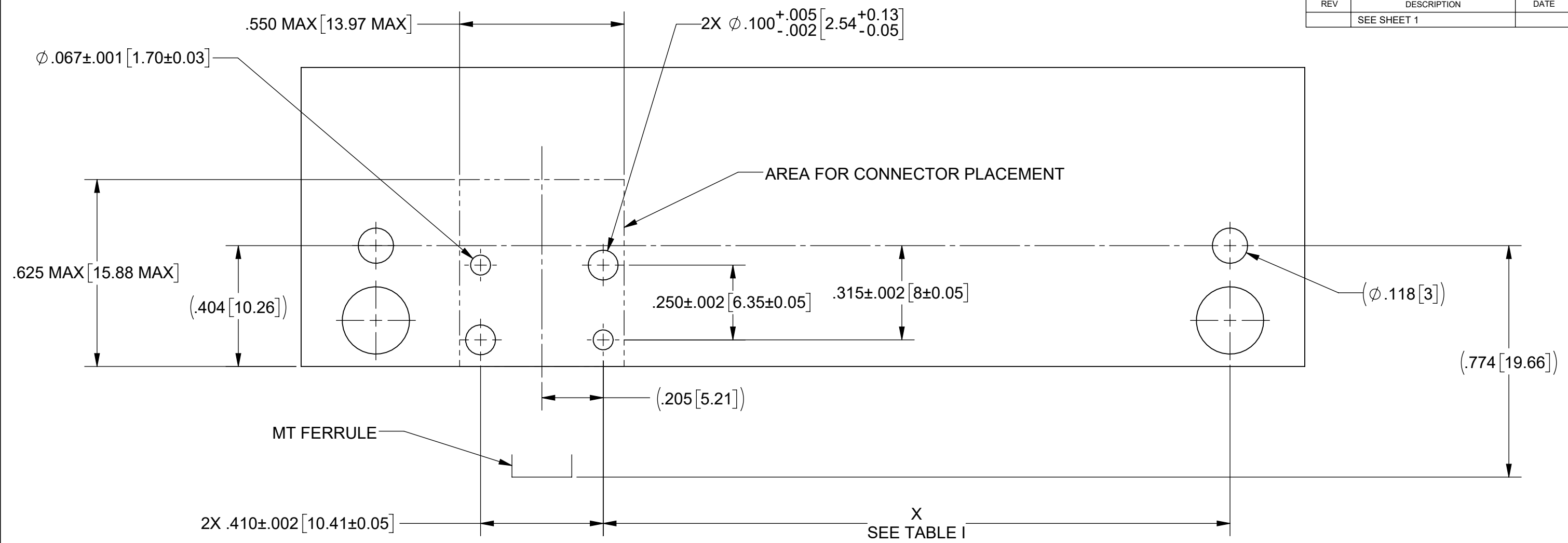
CAPTIVE SCREWS: PASSIVATED

**NOTES:**


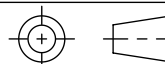
1. COMPLIANT TO VITA 66.5, VITA 65 SECTION 6.4.5.7.3 AND ALIGNED TO THE SOSA TECHNICAL STANDARD.
2. DESIGNED TO USE WITH NanoRF PLUG-IN CONTACTS FOR Ø.047 CABLE, SV P/N: 8351-40001 (TE P/N 2302339-1).
3. LICENSED EQUIVALENT TO TE P/N 2359407-1 AND CAN BE USED AS A DROP-IN REPLACEMENT.
4. SHIPPED WITHOUT MT FERRULE KIT.
5. MATES TO SV P/N 9341-80011.
6. PCB LAYOUT ON SHEET 2.
7. 9351-80007-1 COMES WITH AN EXTENDED RF BACKPLATE THAT IS THICKER THAN THE STANDARD. THIS PROVIDES ADDITIONAL PROTECTION OF THE EXPOSED CABLE SOLDER JOINT.

MATERIAL: SEE NOTES	DIMENSIONS ARE IN INCHES TOLERANCES: FRACTIONAL: ±1/64 ANGULAR: X° ±1'0" X'X' ±15'	UNLESS OTHERWISE SPECIFIED 1) ALL DIMENSIONS ARE IN INCHES (MILLIMETERS) 2) ALL DIMENSIONS ARE AFTER PLATING. 3) BREAK CORNERS & EDGES .005 R. MAX. 4) CHAM. 1ST & LAST THREADS. 5) SURFACE ROUGHNESS 63-MIL-STD-10. 6) DIA: 'S ON COMMON CENTERS TO BE CONCENTRIC WITHIN .005 T.I.R. 7) REMOVE ALL BURRS	 www.svmicrowave.com TITLE: NanoRF PLUG-IN MODULE, 5 POS RF FOR Ø.047 CABLE & 1 POS FIBER OPTIC
FINISH: SEE NOTES	DECIMAL: X ±.030 .XX ±.010 .XXX ±.005	INTERPRET DIMENSIONS AND TOLERANCES PER ASME Y14.5M - 1994	
SURFACE AREA: N/A	THIRD ANGLE PROJECTION	DRAWN: KRR 04/11/25	SIZE DWG. NO. B 9351-80007
<b>PROPRIETARY</b> THE INFORMATION CONTAINED IN THIS DRAWING IS THE SOLE PROPERTY OF SV MICROWAVE, INC. ANY REPRODUCTION IN PART OR AS A WHOLE WITHOUT THE WRITTEN PERMISSION OF SV MICROWAVE, INC IS PROHIBITED.		CHECKED: SEE PDM	SCALE: 3:1
		APPROVED: SEE PDM	SHEET 1 OF 2

REVISION HISTORY			
REV	DESCRIPTION	DATE	APPROVED
	SEE SHEET 1		SEE PDM



POSITION	DIMENSION "X"		
	VITA 67.3-C	VITA 67.3-D	VITA 67.3-E
P1B	-	1.546	1.546
P2A	2.107	2.107	2.107
P2B	2.669	2.669	2.669
P3A	3.654	3.795	-
P3B	4.221	4.351	-
P4A	4.987	4.929	-
P4B	5.554	5.485	-
P5A	6.121	6.063	-
P5B	6.688	6.619	-
P6A	7.269	7.197	-
P6B	7.836	7.752	-

MATERIAL: SEE NOTES	DIMENSIONS ARE IN INCHES TOLERANCES: FRACTIONAL: ±1/64 ANGULAR: X° ±1'0" X°X' ±15'	UNLESS OTHERWISE SPECIFIED 1) ALL DIMENSIONS ARE IN INCHES (MILLIMETERS) 2) ALL DIMENSIONS ARE AFTER PLATING. 3) BREAK CORNERS & EDGES .005 R. MAX. 4) CHAM. 1ST & LAST THREADS. 5) SURFACE ROUGHNESS 63-MIL-STD-10. 6) DIA.'S ON COMMON CENTERS TO BE CONCENTRIC WITHIN .005 T.I.R. 7) REMOVE ALL BURRS	 www.svmicrowave.com <b>TITLE:</b> NanoRF PLUG-IN MODULE, 5 POS RF FOR Ø.047 CABLE & 1 POS FIBER OPTIC
FINISH: SEE NOTES	DECIMAL: X ±.030 .XX ±.010 .XXX ±.005	INTERPRET DIMENSIONS AND TOLERANCES PER ASME Y14.5M - 1994	
SURFACE AREA: N/A	<b>THIRD ANGLE PROJECTION</b> 	<b>DRAWN:</b> SEE SHEET 1 <b>CHECKED:</b> SEE PDM <b>APPROVED:</b> SEE PDM	<b>SIZE:</b> B <b>DWG. NO.:</b> 9351-80007
<b>PROPRIETARY</b> THE INFORMATION CONTAINED IN THIS DRAWING IS THE SOLE PROPERTY OF SV MICROWAVE, INC. ANY REPRODUCTION IN PART OR AS A WHOLE WITHOUT THE WRITTEN PERMISSION OF SV MICROWAVE, INC IS PROHIBITED.			SCALE: 3:1 SHEET 2 OF 2