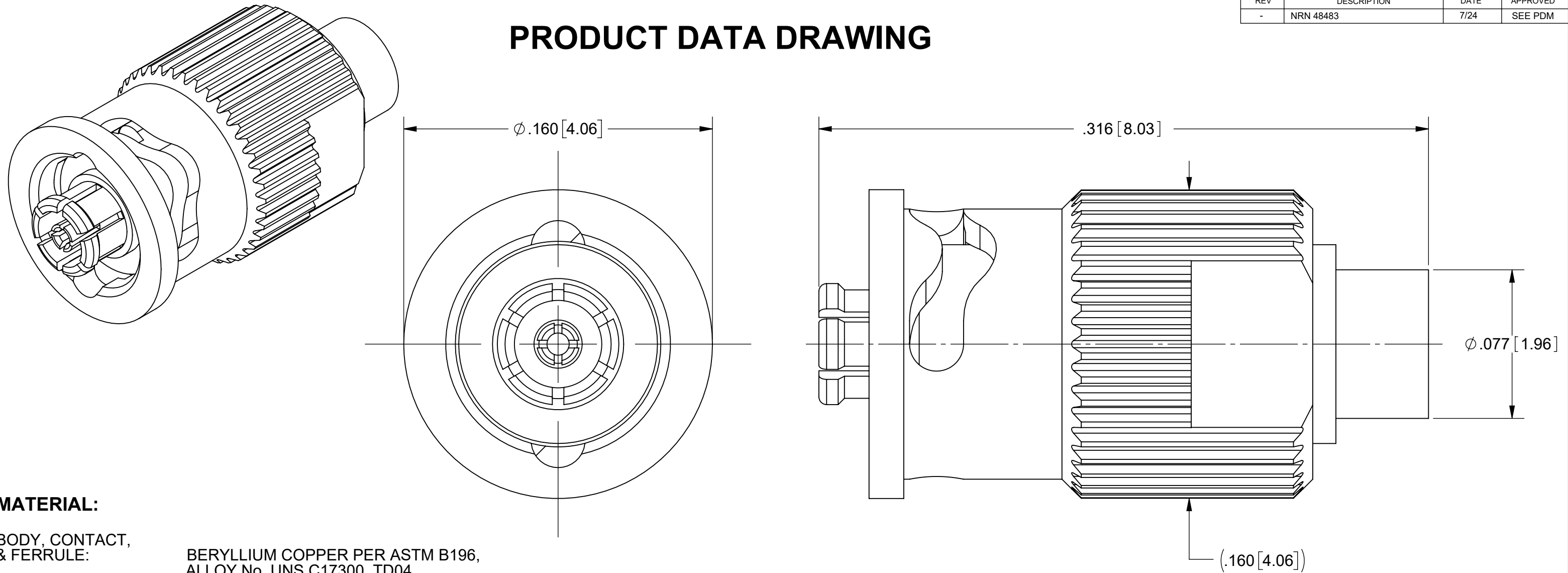


REVISION HISTORY			
REV	DESCRIPTION	DATE	APPROVED
-	NRN 48483	7/24	SEE PDM

PRODUCT DATA DRAWING



MATERIAL:

BODY, CONTACT, & FERRULE:

BERYLLIUM COPPER PER ASTM B196, ALLOY No. UNS C17300, TD04

INSULATOR:

PTFE PER ASTM D1710, TYPE I, GRADE 1, CLASS B

QUARTER BACK NUT:

STAINLESS STEEL PER AMS-5640, ALLOY UNS30300, TYPE 1; OR ASTM A285, TYPE 303, CONDITION A.

SPRING:

MUSIC WIRE

FINISH:

BODY, FERRULE & CONTACT:

GOLD PER ASTM B488, TYPE II, CODE C, CLASS 1.27, OVER NICKEL PER AMS-QQ-N-290, CLASS 1, .00005" MIN.

QUARTER BACK NUT:

PASSIVATED PER AMS 2700

SPRING:

ZINC

PERFORMANCE:

IMPEDANCE:


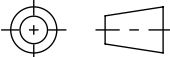
50 OHMS

FREQ. RANGE:

DC TO 40.0 GHz.

NOTES:

- DESIGNED TO MATE TO 3811-40105 AND SIMILAR SMPS QB MALE CONNECTORS.

MATERIAL: SEE NOTES	DIMENSIONS ARE IN INCHES TOLERANCES: FRACTIONAL: ±1/64 ANGULAR: X° ±1'0" X°X' ±15'	UNLESS OTHERWISE SPECIFIED 1) ALL DIMENSIONS ARE IN INCHES (MILLIMETERS) 2) ALL DIMENSIONS ARE AFTER PLATING. 3) BREAK CORNERS & EDGES .005 R. MAX. 4) CHAM. 1ST & LAST THREADS. 5) SURFACE ROUGHNESS 63-MIL-STD-10. 6) DIA: 'S ON COMMON CENTERS TO BE CONCENTRIC WITHIN .005 T.I.R. 7) REMOVE ALL BURRS	 <p>Amphenol www.svmicrowave.com</p>
FINISH: SEE NOTES	DECIMAL: X ±.030 .XX ±.010 .XXX ±.005	INTERPRET DIMENSIONS AND TOLERANCES PER ASME Y14.5M - 1994	
SURFACE AREA: N/A	THIRD ANGLE PROJECTION	DRAWN: JDT 7/31/24	TITLE: SMPS JACK W/ QUARTER BACK NUT FOR Ø.047 CABLE
<p>PROPRIETARY</p> <p>THE INFORMATION CONTAINED IN THIS DRAWING IS THE SOLE PROPERTY OF SV MICROWAVE, INC. ANY REPRODUCTION IN PART OR AS A WHOLE WITHOUT THE WRITTEN PERMISSION OF SV MICROWAVE, INC IS PROHIBITED.</p>		CHECKED: SEE PDM	SIZE DWG. NO. B 3821-60008
		APPROVED: SEE PDM	SCALE: 20:1 SHEET 1 OF 1