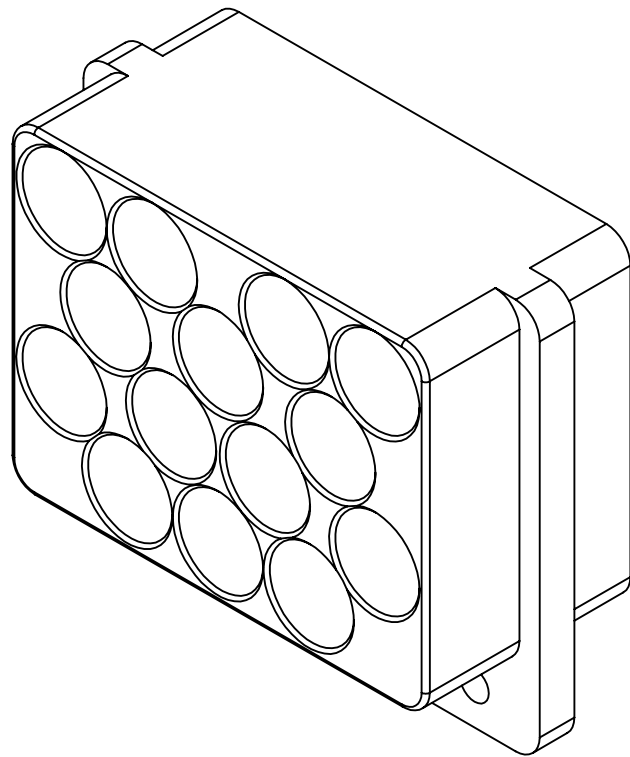


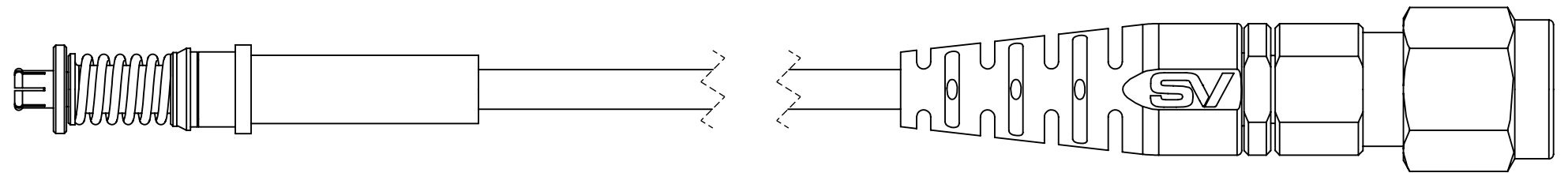
REVISION HISTORY			
REV	DESCRIPTION	DATE	APPROVED
-	RELEASE	07/24	SEE PDM

V673-SMPM-BP-14-X



V67.3 SMPM 14POS BACKPLANE MODULE

PN: SF9321-60086 QTY: 1

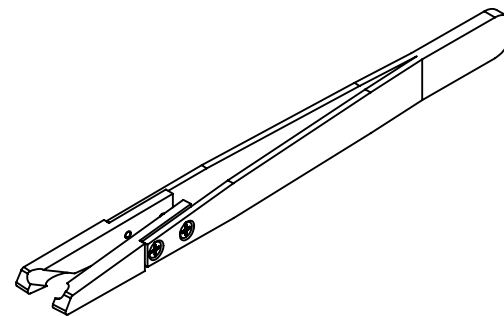


**V67.3 SMPM BACKPLANE CONTACT
TO 2.92mm MALE
SV087LL CABLE ASSEMBLY**

PN: 7032-10173-0240 QTY: X

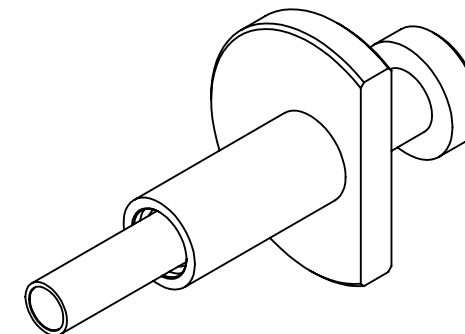


**5/64" ALLEN DRIVER
QTY: 1**



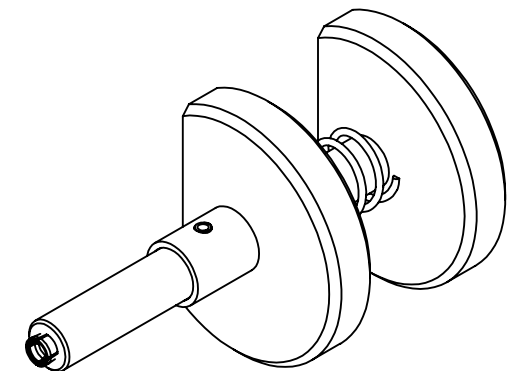
**V67.3 SMPM CABLE
INSTALLATION TOOL**

PN: 500-32-045 QTY: 1



**V67.3 SMPM CONTACT
REMOVAL TOOL**

PN: 500-32-015 QTY: 1



**V67.3 SMPM BULLET
INSTALLATION TOOL**

PN: 500-32-052 QTY: 1



**18-8 STAINLESS STEEL
2-56 MOUNTING SCREWS
QTY: 3X .188" LONG, 3X .250" LONG**

MATERIAL: SEE NOTES	DIMENSIONS ARE IN INCHES TOLERANCES: FRACTIONAL: $\pm 1/64$ ANGULAR: X° $\pm 1'0"$ X°X' $\pm 15'$	UNLESS OTHERWISE SPECIFIED 1) ALL DIMENSIONS ARE IN INCHES (MILLIMETERS) 2) ALL DIMENSIONS ARE AFTER PLATING. 3) BREAK CORNERS & EDGES .005 R. MAX. 4) CHAM. 1ST & LAST THREADS. 5) SURFACE ROUGHNESS 63-MIL-STD-10. 6) DIA: 'S ON COMMON CENTERS TO BE CONCENTRIC WITHIN .005 T.I.R. 7) REMOVE ALL BURRS	
FINISH: SEE NOTES	DECIMAL: X $\pm .030$.XX $\pm .010$.XXX $\pm .005$		
SURFACE AREA: N/A	INTERPRET DIMENSIONS AND TOLERANCES PER ASME Y14.5M - 1994	THIRD ANGLE PROJECTION	TITLE: VITA 67.3 SMPM BACKPLANE DEVELOPER'S KIT
PROPRIETARY THE INFORMATION CONTAINED IN THIS DRAWING IS THE SOLE PROPERTY OF SV MICROWAVE, INC. ANY REPRODUCTION IN PART OR AS A WHOLE WITHOUT THE WRITTEN PERMISSION OF SV MICROWAVE, INC IS PROHIBITED.		DRAWN: DAL 07/31/24 CHECKED: SEE PDM APPROVED: SEE PDM	SIZE B DWG. NO. V673-SMPM-BP-14-X SCALE: 3:1 SHEET 1 OF 1