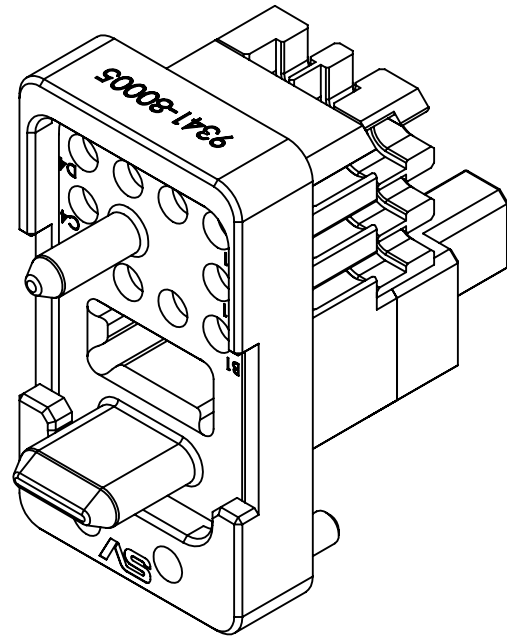


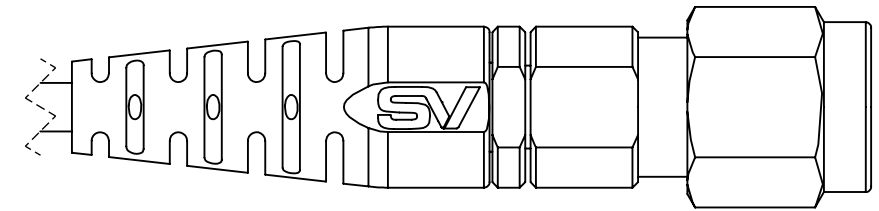
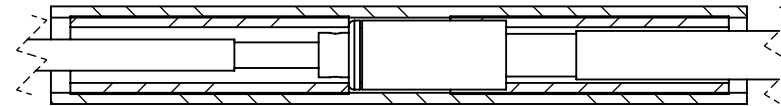
REVISION HISTORY			
REV	DESCRIPTION	DATE	APPROVED
-	RELEASE	07/24	SEE PDM

V673-NANO-BP-10-X



**V67.3 NANORF 10POS
BACKPLANE MODULE**

PN: 9341-80005 QTY: 1



**V67.3 NANORF BACKPLANE CONTACT
TO 2.92mm MALE
Ø.047 / SV087LL CABLE ASSEMBLY
USING CONVERGERF SPLICE**

PN: 7083-0027-0240 QTY: X



**5/64" ALLEN DRIVER
QTY: 1**




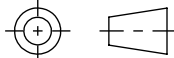
**.050" ALLEN DRIVER
QTY: 1**



**.100" SLOTTED DRIVER
QTY: 1**



**18-8 STAINLESS STEEL
2-56 MOUNTING SCREWS
QTY: 3X .188" LONG, 3X .250" LONG**

MATERIAL: SEE NOTES	DIMENSIONS ARE IN INCHES TOLERANCES: FRACTIONAL: ±1/64 ANGULAR: X° ±1°0' X°X' ±15'	UNLESS OTHERWISE SPECIFIED 1) ALL DIMENSIONS ARE IN INCHES (MILLIMETERS) 2) ALL DIMENSIONS ARE AFTER PLATING. 3) BREAK CORNERS & EDGES .005 R. MAX. 4) CHAM. 1ST & LAST THREADS. 5) SURFACE ROUGHNESS 63-MIL-STD-10. 6) DIA. 'S ON COMMON CENTERS TO BE CONCENTRIC WITHIN .005 T.I.R. 7) REMOVE ALL BURRS	 Amphenol SV MICROWAVE www.svmicrowave.com
FINISH: SEE NOTES	DECIMAL: X ±.030 .XX ±.010 .XXX ±.005	INTERPRET DIMENSIONS AND TOLERANCES PER ASME Y14.5M - 1994	
SURFACE AREA: N/A	THIRD ANGLE PROJECTION	DRAWN: DAL 07/31/24	TITLE: VITA 67.3 NANORF 10POS BACKPLANE DEVELOPER'S KIT
PROPRIETARY THE INFORMATION CONTAINED IN THIS DRAWING IS THE SOLE PROPERTY OF SV MICROWAVE, INC. ANY REPRODUCTION IN PART OR AS A WHOLE WITHOUT THE WRITTEN PERMISSION OF SV MICROWAVE, INC IS PROHIBITED.		CHECKED: SEE PDM	SIZE DWG. NO. B V673-NANO-BP-10-X
		APPROVED: SEE PDM	SCALE: 3:1 SHEET 1 OF 1