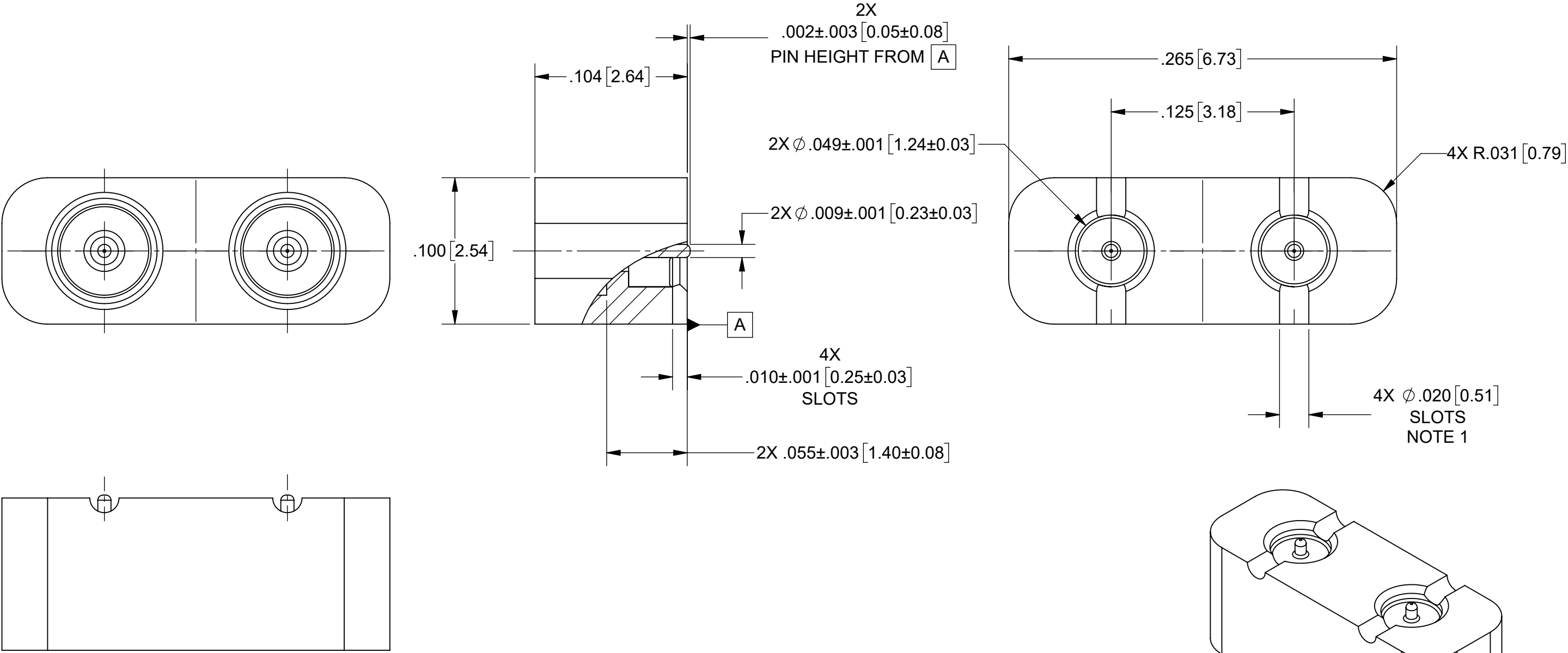


# PRODUCT DATA DRAWING

REVISION HISTORY			
REV	DESCRIPTION	DATE	APPROVED
-	NRN 48052	02/24	SEE PDM



**MATERIAL:**

BODY & CONTACT: KOVAR PER ASTM-F15  
 INSULATOR: GLASS (CORNING #7070 OR EQUIVALENT)

**FINISH:**


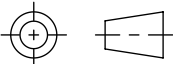
BODY & CONTACT: GOLD PER ASTM B488, TYPE II, CODE C, CLASS 1.27, OVER NICKEL PER AMS-QQ-N-290, CLASS 1, .00005" MIN.

**PERFORMANCE:**

IMPEDANCE: 50 OHMS  
 FREQ. RANGE: DC TO 50.0 GHz.

**NOTES:**

1. SLOTS NOT TO BE UTILIZED AS MOUSEHOLES. CONNECTOR IS FOR STRIPLINE USE ONLY.
2. FOR RECOMMENDED FOOTPRINT FOR YOUR SPECIFIC PCB, CONTACT SV MICROWAVE SALES DEPARTMENT (sales@svmicro.com, 561-840-1800).

MATERIAL:	SEE NOTES	DIMENSIONS ARE IN INCHES TOLERANCES: FRACTIONAL: ±1/64 ANGULAR: X° ±1'0" X°X' ±15'	UNLESS OTHERWISE SPECIFIED 1) ALL DIMENSIONS ARE IN INCHES (MILLIMETERS) 2) ALL DIMENSIONS ARE AFTER PLATING. 3) BREAK CORNERS & EDGES .005 R. MAX. 4) CHAM. 1ST & LAST THREADS. 5) SURFACE ROUGHNESS 63-MIL-STD-10. 6) DIA: 'S ON COMMON CENTERS TO BE CONCENTRIC WITHIN .005 T.I.R. 7) REMOVE ALL BURRS	 Amphenol www.svmicrowave.com
FINISH:	SEE NOTES	DECIMAL: .X ±.030 .XX ±.010 .XXX ±.005	INTERPRET DIMENSIONS AND TOLERANCES PER ASME Y14.5M - 1994	TITLE: SMPS MALE PCB SURFACE MOUNT, 2 PORT (GLASS SEAL), SB
SURFACE AREA:	N/A	THIRD ANGLE PROJECTION		SIZE DWG. NO. <b>B</b> 9311-20026
PROPRIETARY THE INFORMATION CONTAINED IN THIS DRAWING IS THE SOLE PROPERTY OF SV MICROWAVE, INC. ANY REPRODUCTION IN PART OR AS A WHOLE WITHOUT THE WRITTEN PERMISSION OF SV MICROWAVE, INC IS PROHIBITED.			DRAWN: ENB 02/01/24	SCALE: 14:1
			CHECKED: SEE PDM	SHEET 1 OF 1
			APPROVED: SEE PDM	