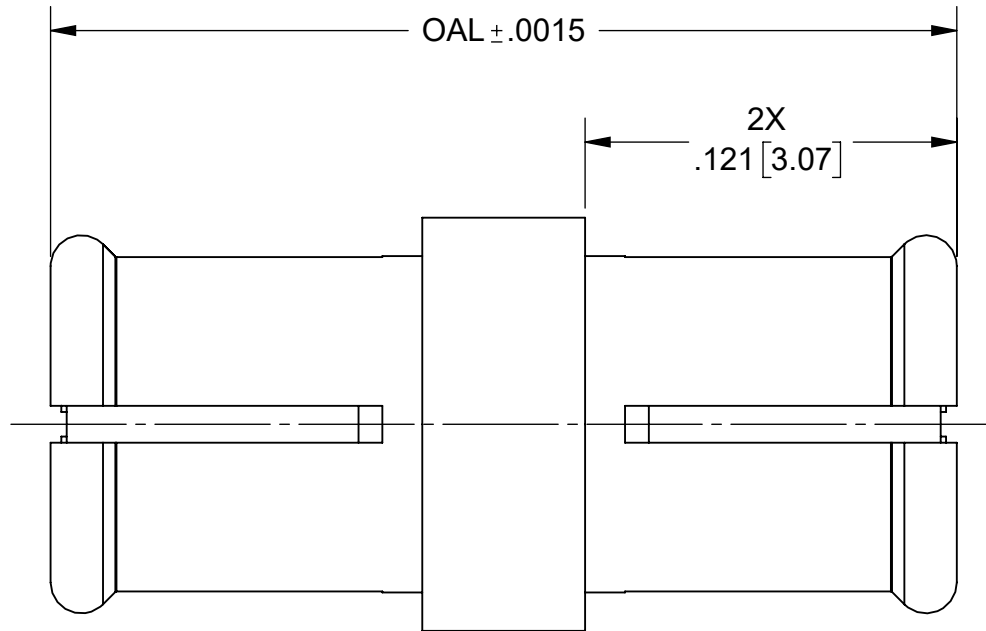
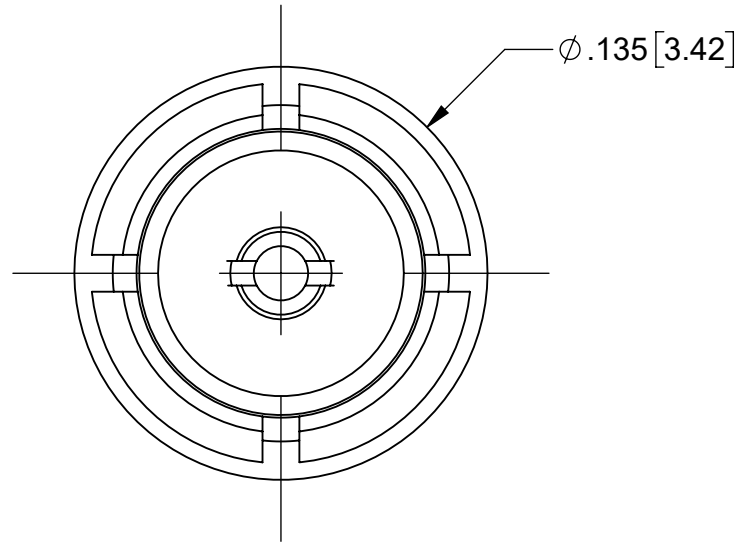
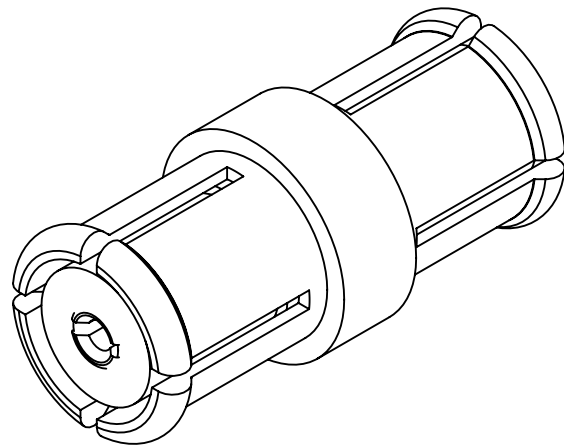


PRODUCT DATA DRAWING

| REVISION HISTORY | | | |
|------------------|-------------|-------|----------|
| REV | DESCRIPTION | DATE | APPROVED |
| - | NRN 47980 | 01/24 | SEE PDM |
| | | | |



MATERIAL:

BODY & CONTACT: BERYLLIUM COPPER PER ASTM B196, ALLOY No. UNS C17300, TD04

INSULATOR: PTFE PER ASTM D1710, TYPE I, GRADE 1, CLASS B

FINISH:

BODY & CONTACT: GOLD PER MIL-DTL-45204, TYPE II, GRADE C, CLASS 1 (.000050 MIN.) OVER NICKEL PER AMS-QQ-N-290, CLASS 1, (.00005 MIN.).

PERFORMANCE:

IMPEDANCE: 50 OHMS
FREQ. RANGE: DC TO 40.0 GHz

| SV P/N | OAL |
|-----------|--------------|
| 1112-4188 | .285 [7.239] |
| 1112-4189 | .295 [7.493] |

| | | | | |
|------------------------------------------------------------------------------------------------------------------------------------------------------------------------------------------------|-----------|-------------------------------------------------------------------|-------------------------------------------------------------------------------------------------------------------------------------------------------------------------------------------------------------------------------------------------------------------------------------------------|-----------------------------------------------|
| MATERIAL: | SEE NOTES | DIMENSIONS ARE IN INCHES TOLERANCES: | UNLESS OTHERWISE SPECIFIED | www.svmicrowave.com |
| FINISH: | SEE NOTES | FRACTIONAL: $\pm 1/64$ ANGULAR: X° $\pm 1'0''$ X°X' $\pm 15''$ | 1) ALL DIMENSIONS ARE IN INCHES (MILLIMETERS) 2) ALL DIMENSIONS ARE AFTER PLATING. 3) BREAK CORNERS & EDGES .005 R. MAX. 4) CHAM. 1ST & LAST THREADS. 5) SURFACE ROUGHNESS 63-MIL-STD-10. 6) DIA.'S ON COMMON CENTERS TO BE CONCENTRIC WITHIN .005 T.I.R. 7) REMOVE ALL BURRS | TITLE: SMP FEMALE TO FEMALE ADAPTER |
| SURFACE AREA: | N/A | DECIMAL: X $\pm .030$.XX $\pm .010$.XXX $\pm .005$ | INTERPRET DIMENSIONS AND TOLERANCES PER ASME Y14.5M - 1994 | DRAWN: SJ 01/03/24 |
| PROPRIETARY | | THIRD ANGLE PROJECTION | | CHECKED: SEE PDM |
| THE INFORMATION CONTAINED IN THIS DRAWING IS THE SOLE PROPERTY OF SV MICROWAVE, INC. ANY REPRODUCTION IN PART OR AS A WHOLE WITHOUT THE WRITTEN PERMISSION OF SV MICROWAVE, INC IS PROHIBITED. | | | | APPROVED: SEE PDM |
| | | | SCALE: 16:1 | SIZE DWG. NO. B 1112-4188-4189 |
| | | | | SHEET 1 OF 1 |