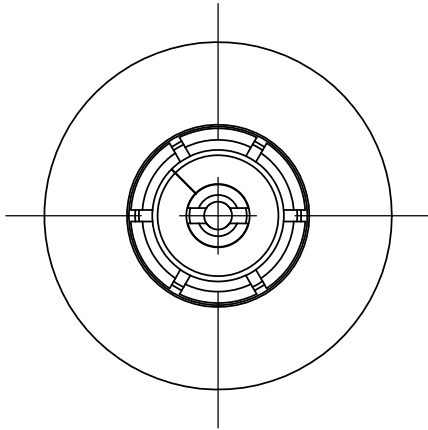
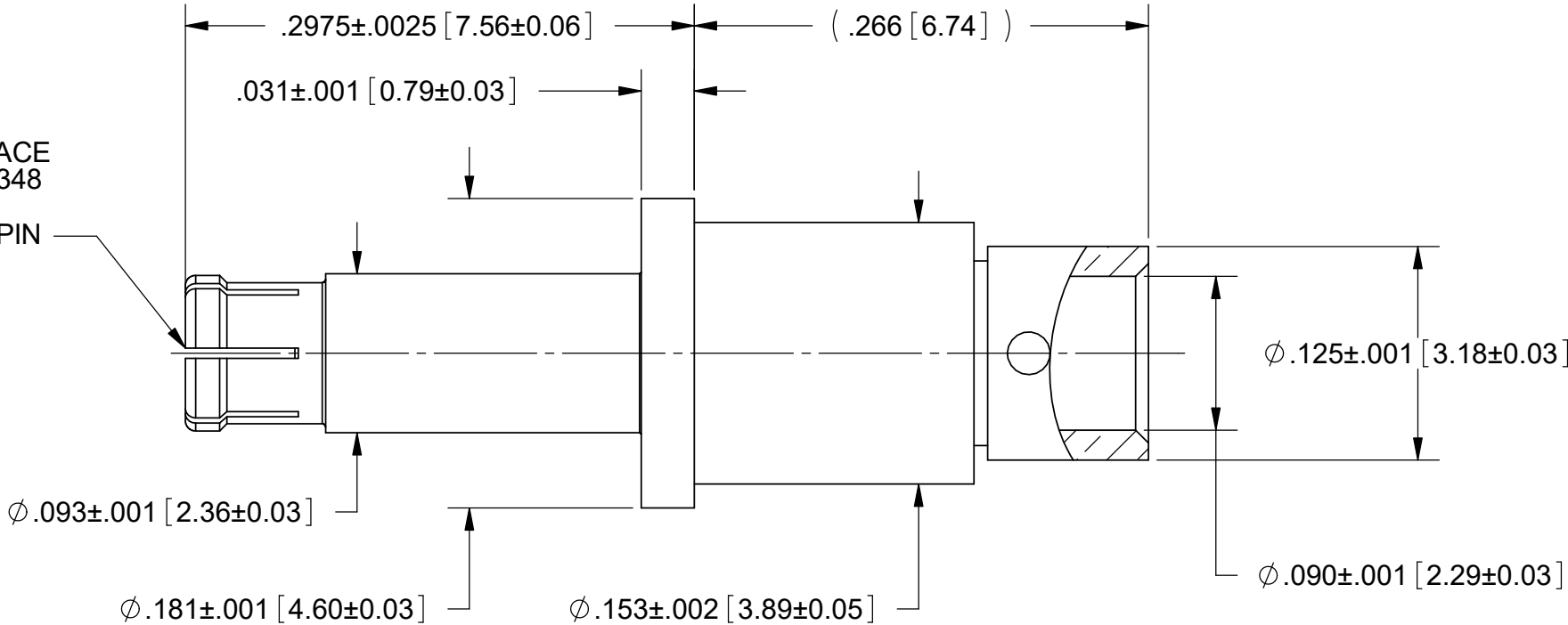


PRODUCT DATA DRAWING

REVISION HISTORY			
REV	DESCRIPTION	DATE	APPROVED
C	DCN 53497	12/23	SEE PDM



SMPM INTERFACE
PER MIL-STD-348
ACCEPTS
Ø.012 [0.30] PIN



MATERIAL:

- BODY & CONTACT: BERYLLIUM COPPER PER ASTM B196, ALLOY No. UNS C17300, TD04.
- INSERT: BRASS PER ASTM B16, ALLOY No. UNS 36000
- INSULATOR: PTFE PER ASTM D1710, TYPE I, GRADE 1, CLASS B

FINISH:

BODY, INSERT & CONTACT: GOLD PER ASTM B488, TYPE II, CODE C, CLASS 1.27; OVER NICKEL PER AMS-QQ-N-290, CLASS 1, .00005" MIN.

PERFORMANCE:

- IMPEDANCE: 50 OHMS
- FREQ. RANGE: DC TO 65.0 GHz
- DWV: 325 VRMS
- OPERATING TEMP.: -55°C TO +125 °C
- VSWR: 1.10:1 TYPICAL DC TO 26.5GHz, 1.30:1 TYPICAL TO 50 GHz
- INSERTION LOSS: .07 X SQRT(F(F IN GHz)) dB MAX
- INSUL. RESISTANCE: 5000 MEGOHMS MIN.
- CONTACT RESISTANCE: 2 MILLIOHMS MAX.
- OUTER CONDUCTOR: 6 MILLIOHMS MAX.
- INNER CONDUCTOR: 6 MILLIOHMS MAX.

MATERIAL:	SEE NOTES	DIMENSIONS ARE IN INCHES TOLERANCES: FRACTIONAL: ±1/64 ANGULAR: X° ±1'0" X'X' ±15'	UNLESS OTHERWISE SPECIFIED 1) ALL DIMENSIONS ARE IN INCHES (MILLIMETERS) 2) ALL DIMENSIONS ARE AFTER PLATING. 3) BREAK CORNERS & EDGES .005 R. MAX. 4) CHAM. 1ST & LAST THREADS. 5) SURFACE ROUGHNESS 63-MIL-STD-10. 6) DIA.'S ON COMMON CENTERS TO BE CONCENTRIC WITHIN .005 T.I.R. 7) REMOVE ALL BURRS	SV MICROWAVE <small>Amphenol</small> www.svmicrowave.com
FINISH:	SEE NOTES	DECIMAL: X ±.030 .XX ±.010 .XXX ±.005	INTERPRET DIMENSIONS AND TOLERANCES PER ASME Y14.5M - 1994	TITLE: SMPM FEMALE T-FLEX 405 CABLE FIT M38999 SIZE 12 INSERT
SURFACE AREA:	N/A	THIRD ANGLE PROJECTION		SIZE DWG. NO. B 3221-4002
PROPRIETARY <small>THE INFORMATION CONTAINED IN THIS DRAWING IS THE SOLE PROPERTY OF SV MICROWAVE, INC. ANY REPRODUCTION IN PART OR AS A WHOLE WITHOUT THE WRITTEN PERMISSION OF SV MICROWAVE, INC IS PROHIBITED.</small>			DRAWN: JMC 09/13/07	SCALE: 10:1
			CHECKED: SEE PDM	SHEET 1 OF 1
			APPROVED: SEE PDM	