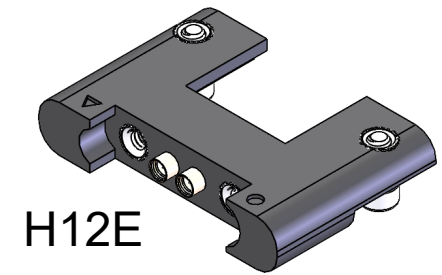
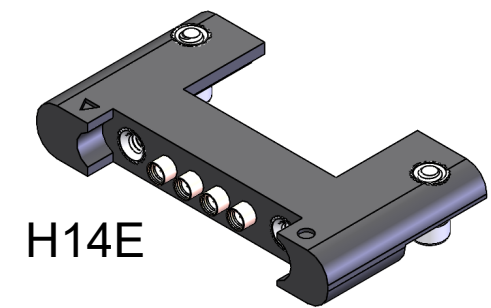
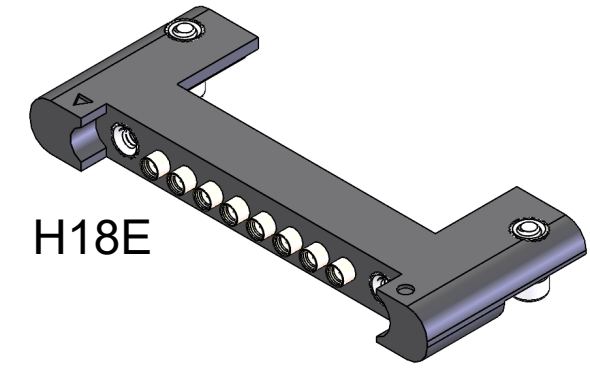
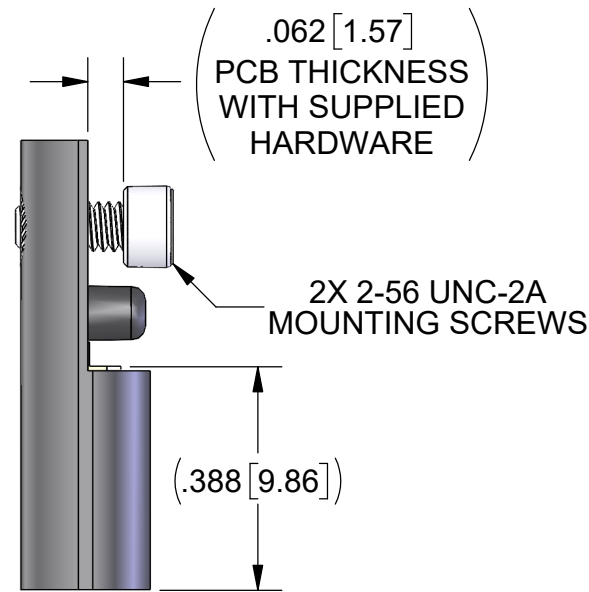
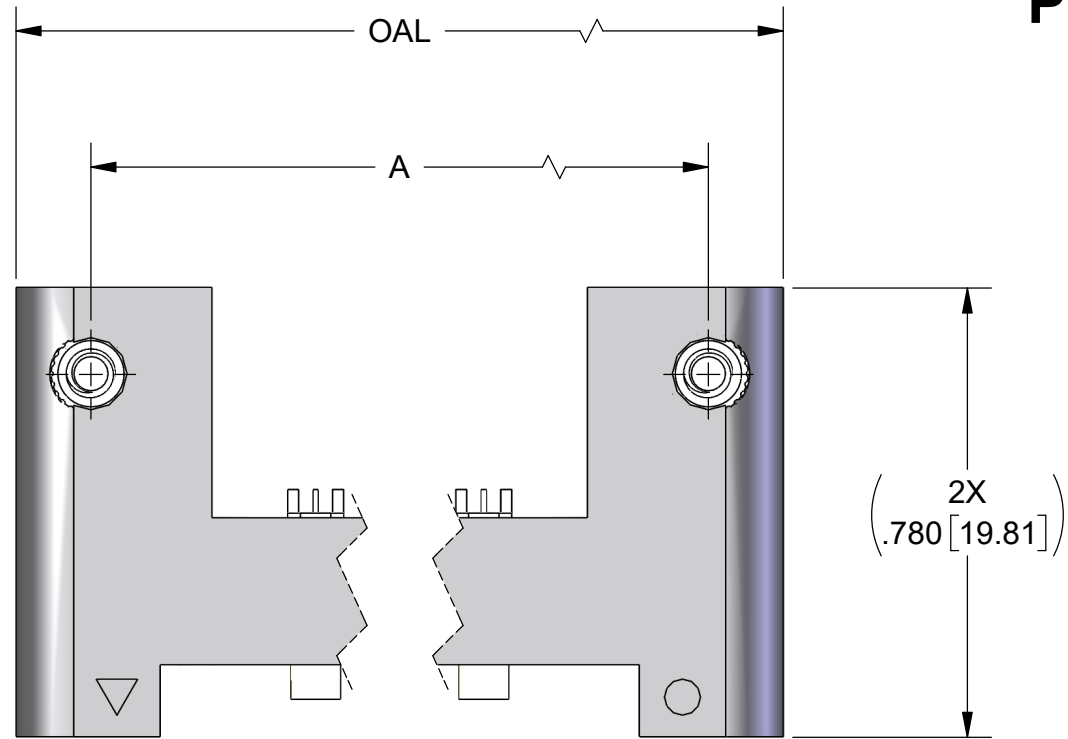
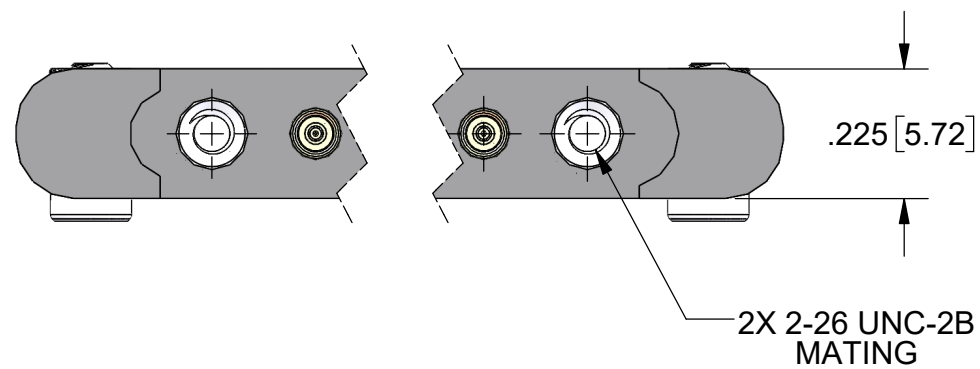
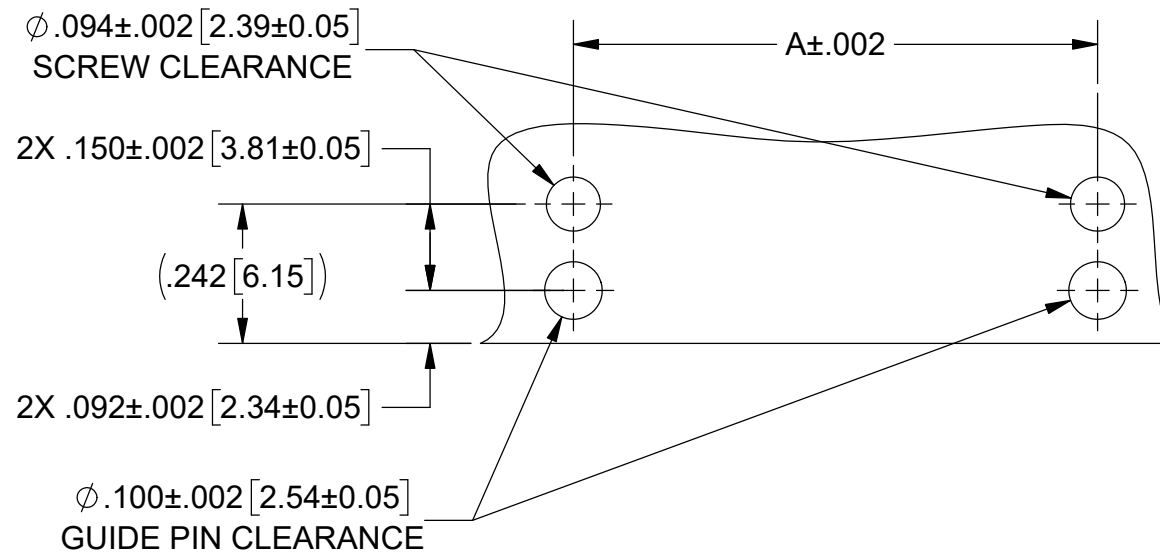


REVISION HISTORY			
REV	DESCRIPTION	DATE	APPROVED
-	DCN 53229	10/23	SEE PDM

PRODUCT DATA DRAWING



RECOMMENDED PCB CUTOUT



- NOTES:
1. PORT TO PORT SPACING: .130.
 2. NOTE TRIANGLE AND CIRCLE DENOTE KEYING ORIENTATION AND WILL MATCH TO MATING PART H1XC.

HUMBOLDT PN	PORTS	OAL	A
H12E	2	1.170	.910
H14E	4	1.430	1.170
H18E	8	1.950	1.690

MATERIAL:

- HOUSING: BLACK CARBON REINFORCED LCP
- THREADED INSERTS: BRASS
- MOUNTING SCREWS: 316 STAINLESS STEEL
- SMPS CONTACT: 3811-40091

MATERIAL: SEE NOTES	DIMENSIONS ARE IN INCHES TOLERANCES: FRACTIONAL: $\pm 1/64$ ANGULAR: X° $\pm 1'0''$ X°X' $\pm 15''$	UNLESS OTHERWISE SPECIFIED 1) ALL DIMENSIONS ARE IN INCHES (MILLIMETERS) 2) ALL DIMENSIONS ARE AFTER PLATING. 3) BREAK CORNERS & EDGES .005 R. MAX. 4) CHAM. 1ST & LAST THREADS. 5) SURFACE ROUGHNESS 63-MIL-STD-10. 6) DIA.'S ON COMMON CENTERS TO BE CONCENTRIC WITHIN .005 T.I.R. 7) REMOVE ALL BURRS	 TITLE: HUMBOLDT EDGE LAUNCH MULTIPORT H1XE
FINISH: SEE NOTES	DECIMAL: X $\pm .030$.XX $\pm .010$.XXX $\pm .005$		
SURFACE AREA: N/A	INTERPRET DIMENSIONS AND TOLERANCES PER ASME Y14.5M - 1994	DRAWN: DAL 10/27/23	SIZE DWG. NO. B
PROPRIETARY THE INFORMATION CONTAINED IN THIS DRAWING IS THE SOLE PROPERTY OF SV MICROWAVE, INC. ANY REPRODUCTION IN PART OR AS A WHOLE WITHOUT THE WRITTEN PERMISSION OF SV MICROWAVE, INC IS PROHIBITED.	THIRD ANGLE PROJECTION	CHECKED: SEE PDM	SCALE: 3:1
		APPROVED: SEE PDM	SHEET 1 OF 1