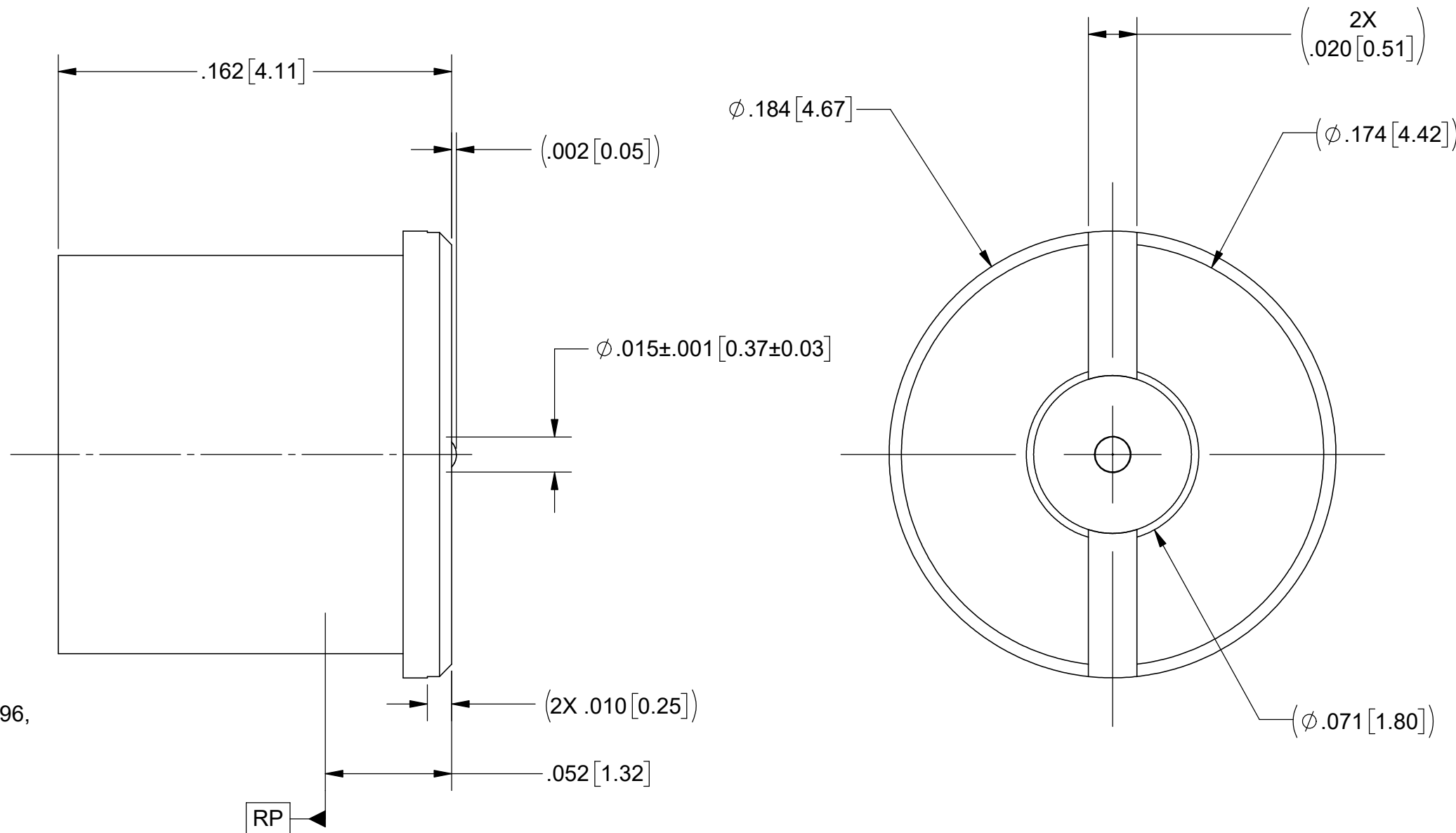
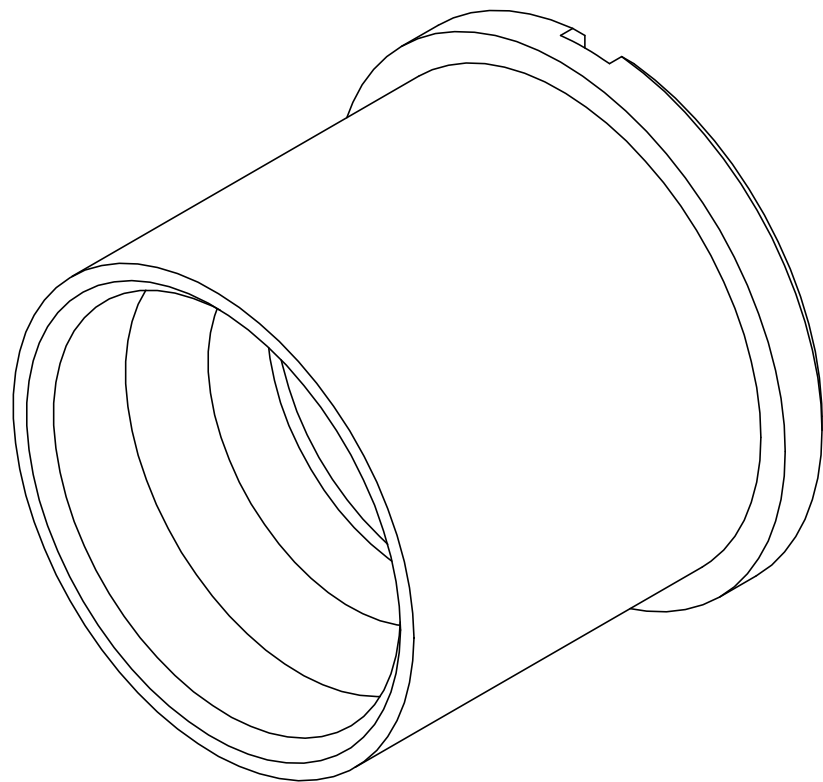


PRODUCT DATA DRAWING

REVISION HISTORY			
REV	DESCRIPTION	DATE	APPROVED
-	NRN 47459	05/23	SEE PDM
A	DCN 52785	07/23	
B	DCN 53110	10/23	



MATERIAL:

BODY & CONTACT: BERYLLIUM COPPER PER ASTM B196, ALLOY No. UNS C17300, TD04.

INSULATOR: 2-PART EPOXY

FINISH:

BODY & CONTACT: GOLD PER ASTM B488, TYPE II, CODE C, CLASS 1.27, OVER NICKEL PER AMS-QQ-N-290, CLASS 1, .00005" MIN.

PERFORMANCE:

IMPEDANCE: 50 OHMS
FREQ. RANGE: DC TO 20.0 GHZ.

MAX RECOMMENDED REFLOW TEMP.: +255°C

MATERIAL:	SEE NOTES
FINISH:	SEE NOTES
SURFACE AREA:	N/A
PROPRIETARY	
<small>THE INFORMATION CONTAINED IN THIS DRAWING IS THE SOLE PROPERTY OF SV MICROWAVE, INC. ANY REPRODUCTION IN PART OR AS A WHOLE WITHOUT THE WRITTEN PERMISSION OF SV MICROWAVE, INC IS PROHIBITED.</small>	

DIMENSIONS ARE IN INCHES TOLERANCES:	
FRACTIONAL: ±1/64	ANGULAR: X° ±1'0" X"X' ±15'
DECIMAL: X ±.030	.XX ±.010
	.XXX ±.005
INTERPRET DIMENSIONS AND TOLERANCES PER ASME Y14.5M - 1994	
THIRD ANGLE PROJECTION	

UNLESS OTHERWISE SPECIFIED	
<small>1) ALL DIMENSIONS ARE IN INCHES (MILLIMETERS) 2) ALL DIMENSIONS ARE AFTER PLATING 3) BREAK CORNERS & EDGES .005 R. MAX. 4) CHAM. 1ST & LAST THREADS. 5) SURFACE ROUGHNESS 63-MIL-STD-10. 6) DIA. 'S ON COMMON CENTERS TO BE CONCENTRIC WITHIN .002 T.I.R. 7) REMOVE ALL BURRS</small>	
DRAWN:	JPM 05/17/23
CHECKED:	SEE PDM
APPROVED:	SEE PDM

TITLE: STR. SMP M (FD) SURFACE MOUNT PCB CONNECTOR	
SIZE	DWG. NO. 1211-40162
B	
SCALE: 18:1	SHEET 1 OF 1