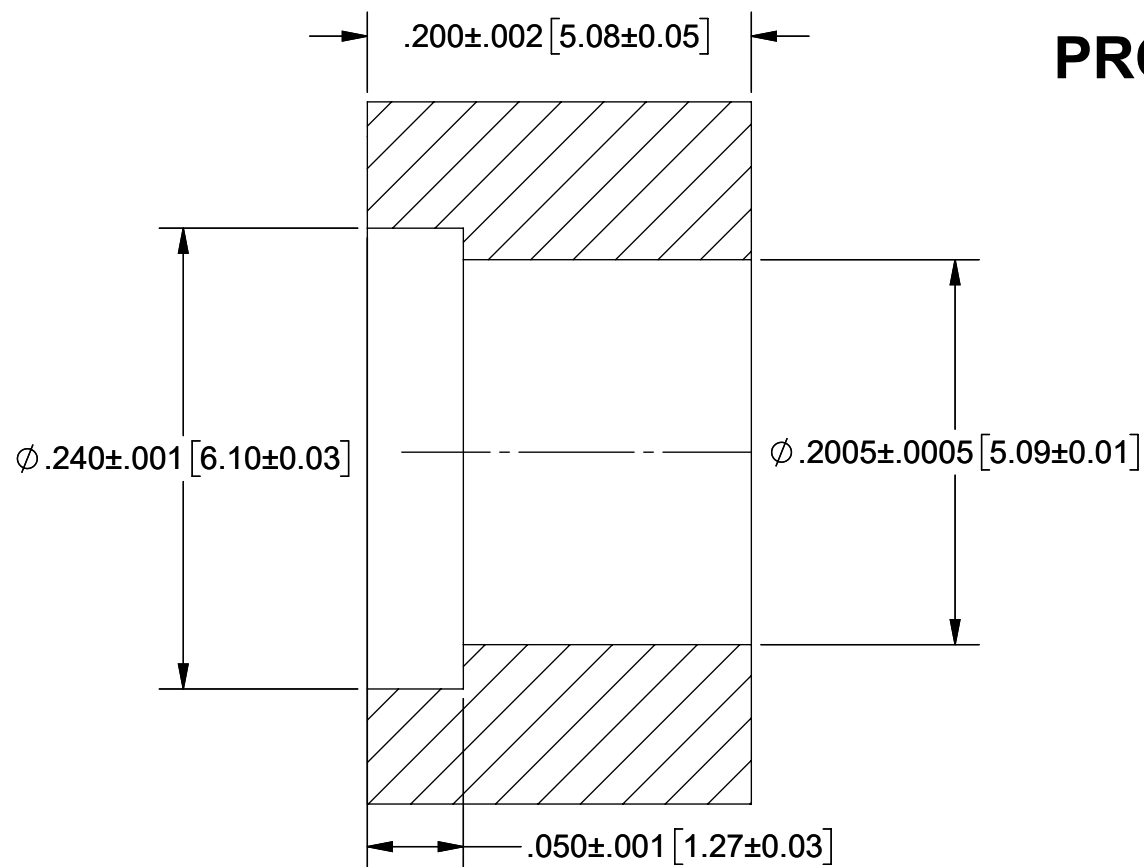
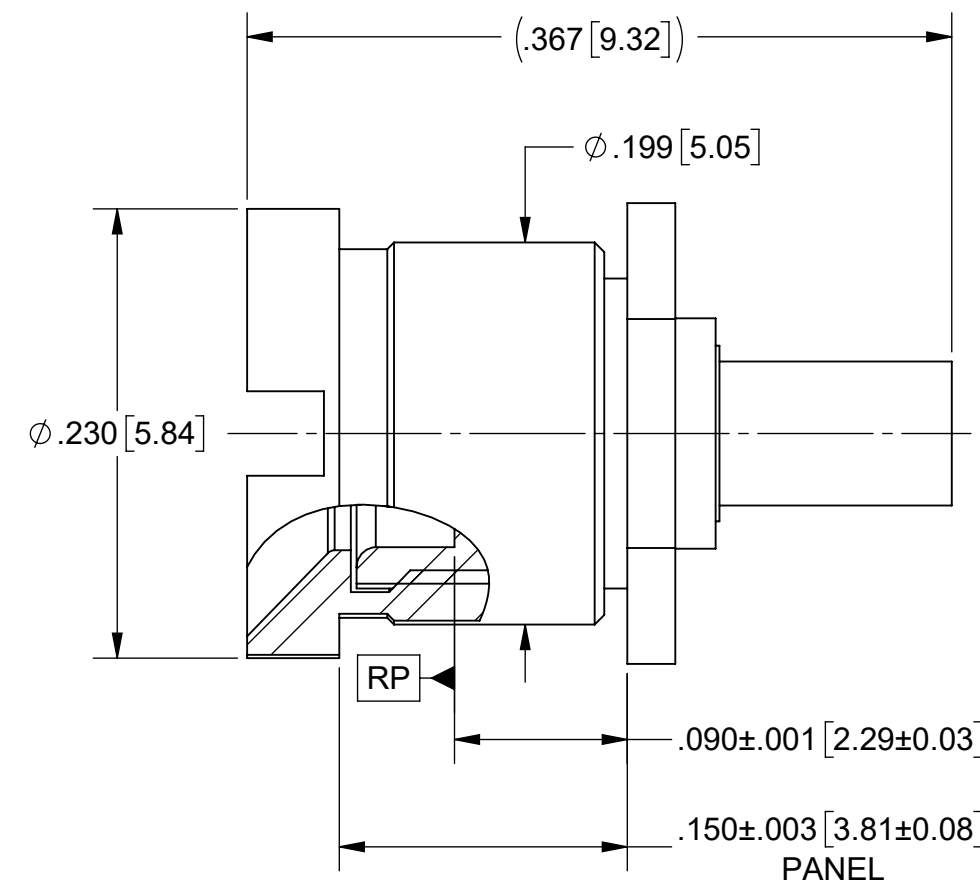
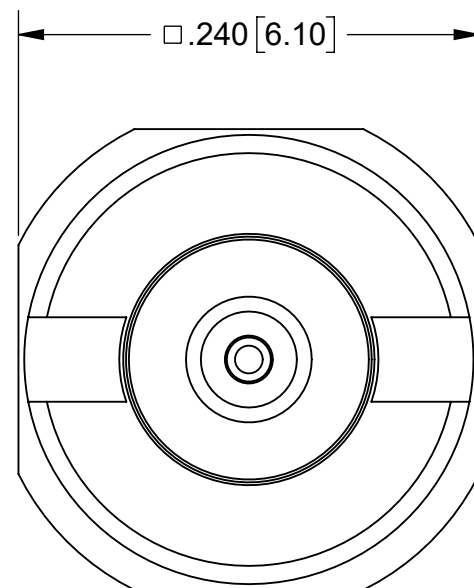


PRODUCT DATA DRAWING

REVISION HISTORY			
REV	DESCRIPTION	DATE	APPROVED
-	DCN 35561	12/07	SEE PDM
A	DCN 52185	12/22	



RECOMMENDED MOUNTING HOLE



MATERIAL:

BODIES AND FERRULE: STAINLESS STEEL PER AMS 5640, ALLOY UNS S30300, TYPE 1 OR ASTM A582, TYPE 303

CONTACT: BERYLLIUM COPPER PER ASTM B196, ALLOY No. UNS C17300, TD04.

INSULATOR: PTFE PER ASTM D1710, TYPE I, GRADE 1, CLASS B.

DIELECTRIC SPACER: POLYETHERIMIDE (ULTEM 1000)


FINISH:

BODY: PASSIVATED PER AMS 2700, TYPE 2

CONTACT & FERRULE: GOLD PER ASTM B488, TYPE II, CODE C, CLASS 1.27, OVER NICKEL PER AMS-QQ-N-290, CLASS 1, .00005"

MIN. PERFORMANCE:

IMPEDANCE: 50 OHMS
FREQ. RANGE: DC TO 26.5 GHz.
VSWR: 1.20:1 MAX. DC TO 26.5 GHz.
INSERTION LOSS: .12 X SQRT (F(F IN GHz.))
DWV: 500 VRMS
INSUL. RES.: 5000 MEGOHMS
OPERATING TEMP.: -55°C TO +165°C

MATERIAL: SEE NOTES	DIMENSIONS ARE IN INCHES TOLERANCES: FRACTIONAL: ±1/64 ANGULAR: X° ±1'0" X°X' ±15'	UNLESS OTHERWISE SPECIFIED 1) ALL DIMENSIONS ARE IN INCHES (MILLIMETERS) 2) ALL DIMENSIONS ARE AFTER PLATING. 3) BREAK CORNERS & EDGES .005 R. MAX. 4) CHAM. 1ST & LAST THREADS. 5) SURFACE ROUGHNESS 63-MIL-STD-10. 6) DIA: 'S ON COMMON CENTERS TO BE CONCENTRIC WITHIN .005 T.I.R. 7) REMOVE ALL BURRS	 Amphenol www.svmicrowave.com TITLE: SMP MALE BLKHD MT CATCHERS MITT FOR Ø.047 S.R. CABLE
FINISH: SEE NOTES	DECIMAL: X ±.030 .XX ±.010 .XXX ±.005 INTERPRET DIMENSIONS AND TOLERANCES PER ASME Y14.5M - 1994	DRAWN: HLP 12/17/07 CHECKED: SEE PDM APPROVED: SEE PDM	
SURFACE AREA: N/A	THIRD ANGLE PROJECTION	SCALE: 10:1	SIZE DWG. NO. B SF1211-6060 SHEET 1 OF 1

PROPRIETARY
 THE INFORMATION CONTAINED IN THIS DRAWING IS THE SOLE PROPERTY OF SV MICROWAVE, INC. ANY REPRODUCTION IN PART OR AS A WHOLE WITHOUT THE WRITTEN PERMISSION OF SV MICROWAVE, INC IS PROHIBITED.