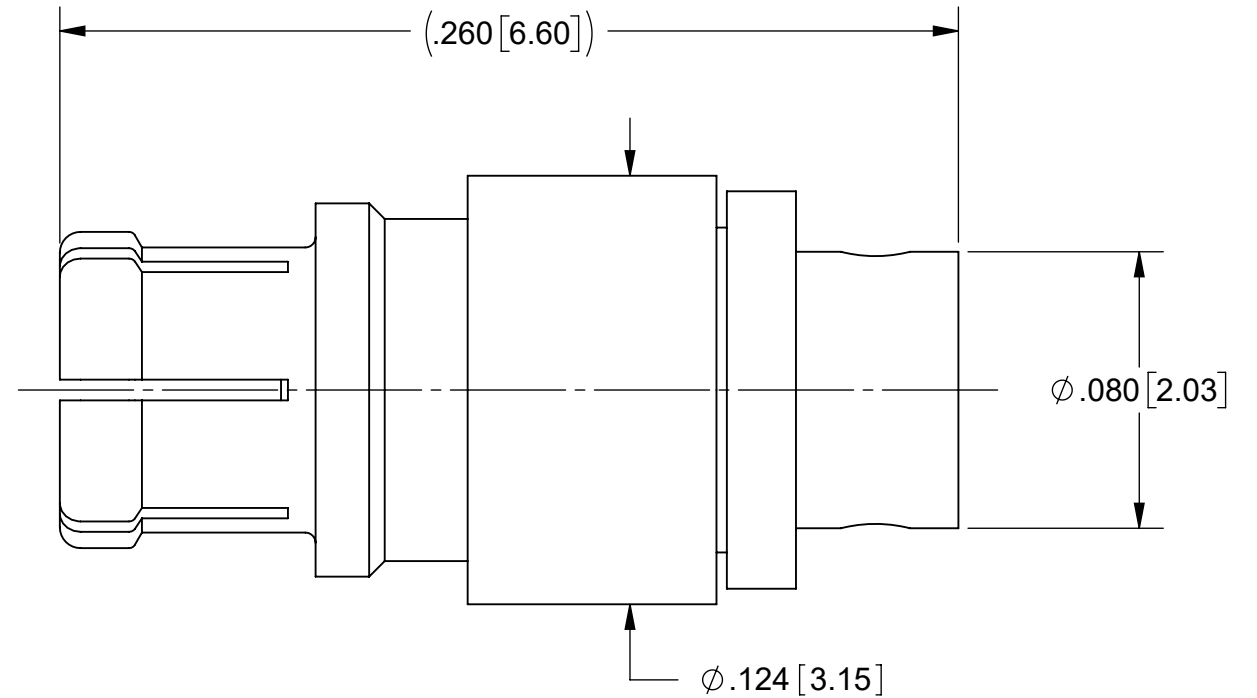
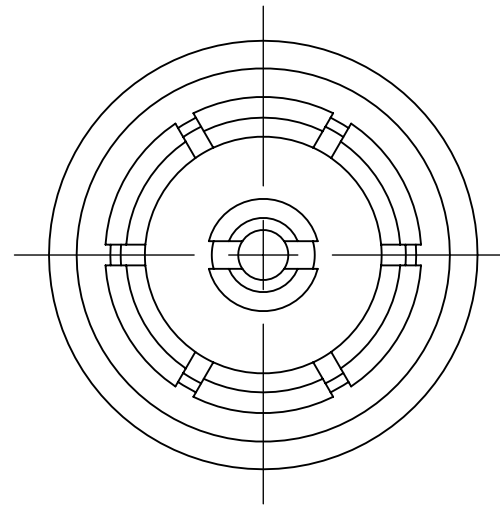
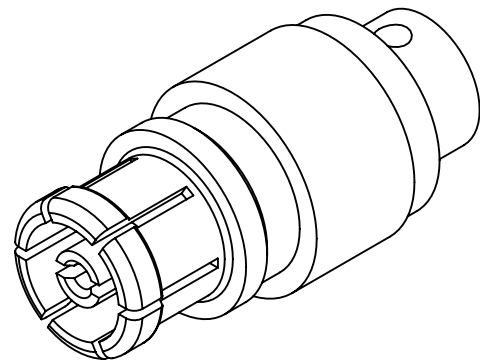


# PRODUCT DATA DRAWING

| REVISION HISTORY |             |       |          |
|------------------|-------------|-------|----------|
| REV              | DESCRIPTION | DATE  | APPROVED |
| -                | NRN 34833   | 07/08 | SEE PDM  |
| A                | DCN 41517   | 07/15 |          |
| B                | DCN 51539   | 04/22 |          |



## MATERIAL:


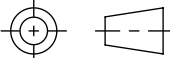
BODY & CONTACT: BERYLLIUM COPPER  
 FERRULE: BRASS  
 INSULATOR: PTFE

## FINISH:

BODY, CONTACT & FERRULE: GOLD OVER NICKEL

## PERFORMANCE:

IMPEDANCE: 50 OHMS  
 FREQ. RANGE: DC TO 65.0 GHz.  
 VSWR: 1.15:1 DC TO 26.5 GHz.  
 1.25:1 DC TO 40.0 GHz.  
 1.35:1 DC TO 65.0 GHz.

|   |  |   |   |
|---|--|---|---|
| MATERIAL: SEE NOTES   | DIMENSIONS ARE IN INCHES TOLERANCES:<br>FRACTIONAL: ±1/64 ANGULAR: X° ±1'0"<br>X°X' ±15' | UNLESS OTHERWISE SPECIFIED<br>1) ALL DIMENSIONS ARE IN INCHES (MILLIMETERS)<br>2) ALL DIMENSIONS ARE AFTER PLATING.<br>3) BREAK CORNERS & EDGES .005 R. MAX.<br>4) CHAM. 1ST & LAST THREADS.<br>5) SURFACE ROUGHNESS 63-MIL-STD-10.<br>6) DIA.'S ON COMMON CENTERS TO BE CONCENTRIC WITHIN .005 T.I.R.<br>7) REMOVE ALL BURRS | <br>Amphenol<br>www.svmicrowave.com<br>TITLE: SMPM STRAIGHT FEMALE FOR Ø.047 CABLE |
| FINISH: SEE NOTES   | DECIMAL: X ±.030<br>.XX ±.010<br>.XXX ±.005  | INTERPRET DIMENSIONS AND TOLERANCES PER ASME Y14.5M - 1994  |   |
| SURFACE AREA: N/A   | THIRD ANGLE PROJECTION   | DRAWN: DAL 07/02/08   | SIZE DWG. NO. B 3221-40007  |
| PROPRIETARY<br>THE INFORMATION CONTAINED IN THIS DRAWING IS THE SOLE PROPERTY OF SV MICROWAVE, INC. ANY REPRODUCTION IN PART OR AS A WHOLE WITHOUT THE WRITTEN PERMISSION OF SV MICROWAVE, INC IS PROHIBITED. |     | CHECKED: SEE PDM  | SCALE: 18:1   |
|   |  | APPROVED: SEE PDM   | SHEET 1 OF 1  |