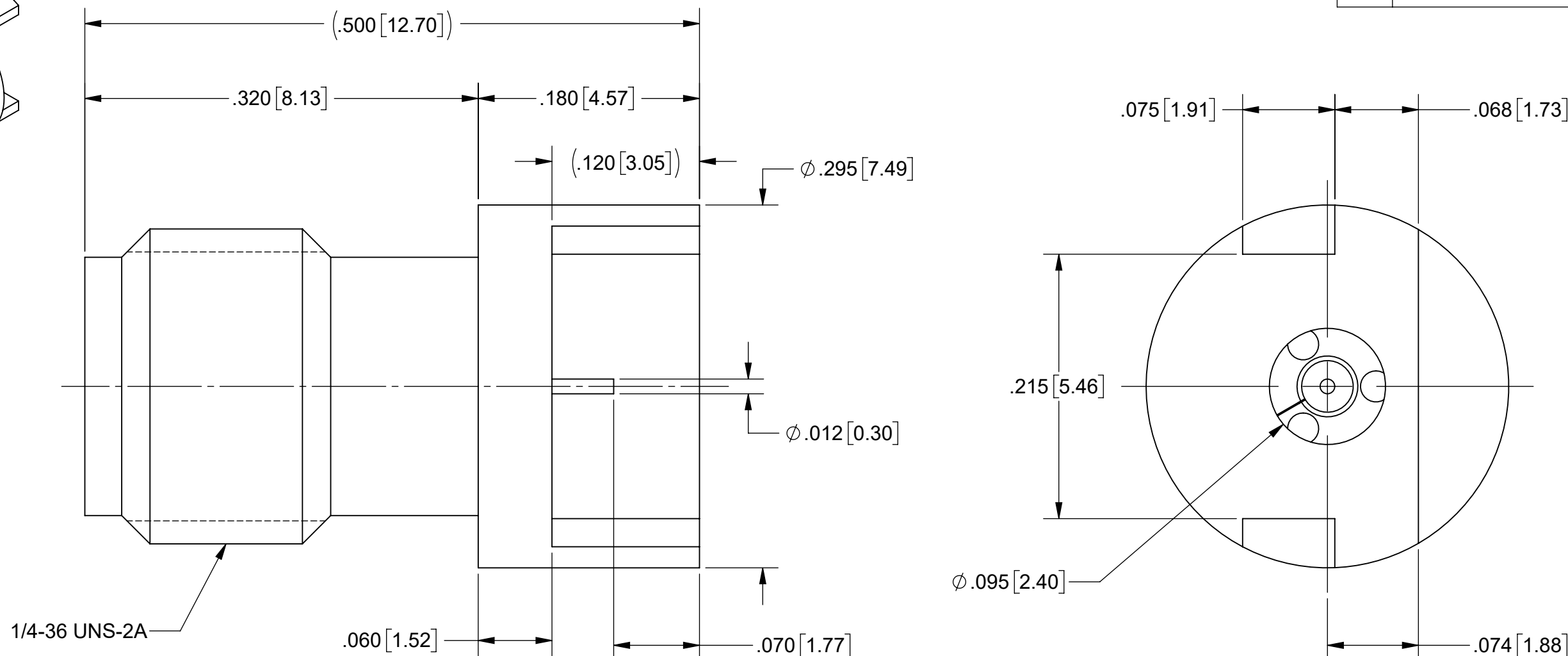
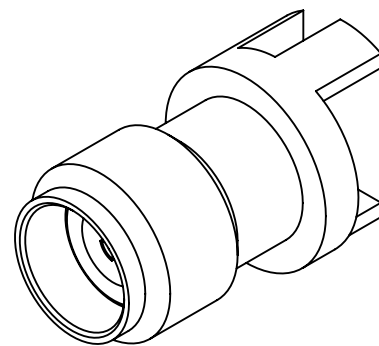


# PRODUCT DATA DRAWING

REVISION HISTORY			
REV	DESCRIPTION	DATE	APPROVED
B	DCN 40176	11/13	STW
C	DCN 49533	1/20	STW



**MATERIAL:**

**BODY & INSERT:** STAINLESS STEEL PER AMS-5640, ALLOY UNS S30300, TYPE 1

**CONTACT:** BERYLLIUM COPPER PER ASTM B196, ALLOY No. UNS C17300, TD04

**DIELECTRIC BEAD:** ULTEM 1000

**FINISH:**

**BODY, INSERT & CONTACT:** GOLD PER ASTM B 488, TYPE II, CODE C, CLASS 0.76, OVER NICKEL PER AMS-QQ-N-290, CLASS 1, .00010" MIN.

**PERFORMANCE:**

**FREQ. RANGE:** DC TO 30.0 GHz  
**VSWR:** 1.25:1 MAX. DC TO 30.0 GHz.

**NOTES:**  
 1. FOR RECOMMENDED FOOTPRINT FO YOUR SPECIFIC PCB, CONTACT SV MICROWAVE SALES DEPARTMENT (sales@svmicro.com, 561-840-1800).

<b>MATERIAL:</b> SEE NOTES	<b>DIMENSIONS ARE IN INCHES TOLERANCES:</b> FRACTIONAL: $\pm 1/64$ ANGULAR: X° $\pm 1'0"$ X'X' $\pm 15'$	<b>UNLESS OTHERWISE SPECIFIED</b> 1) ALL DIMENSIONS ARE IN INCHES (MILLIMETERS) 2) ALL DIMENSIONS ARE AFTER PLATING. 3) BREAK CORNERS & EDGES .005 R. MAX. 4) CHAM. 1ST & LAST THREADS. 5) SURFACE ROUGHNESS 63-MIL-STD-10. 6) DIA: 'S ON COMMON CENTERS TO BE CONCENTRIC WITHIN .005 T.I.R. 7) REMOVE ALL BURRS	<b>SV Microwave, Inc.</b> 2400 Centrepark West Drive, Suite 100 West Palm Beach, FL 33409
<b>FINISH:</b> SEE NOTES	<b>DECIMAL:</b> X $\pm .030$ .XX $\pm .010$ .XXX $\pm .005$	<b>INTERPRET DIMENSIONS AND TOLERANCES PER ASME Y14.5M - 1994</b>	<b>TITLE:</b> SVK JACK PCB MOUNT $\phi .012$ PIN FOR .062" PCB
<b>SURFACE AREA:</b> N/A	<b>THIRD ANGLE PROJECTION</b>	<b>DRAWN:</b> FSG 09/24/12	<b>SIZE:</b> B <b>CAGE CODE:</b> 95077 <b>DWG. NO.:</b> 1521-60051
<b>PROPRIETARY</b> THE INFORMATION CONTAINED IN THIS DRAWING IS THE SOLE PROPERTY OF SV MICROWAVE, INC. ANY REPRODUCTION IN PART OR AS A WHOLE WITHOUT THE WRITTEN PERMISSION OF SV MICROWAVE, INC IS PROHIBITED.		<b>CHECKED:</b> STW 09/24/12 <b>APPROVED:</b> STW 09/24/12	<b>SCALE:</b> 4:1 <b>SHEET 1 OF 1</b>